

Patents, Designs, and Trade Marks

SUPPLEMENT

TO THE

NEW ZEALAND GAZETTE

OF

THURSDAY, FEBRUARY 11, 1909.

Published by Authority.

WELLINGTON, THURSDAY, FEBRUARY 11, 1909.

CONTENTS.

	Page
Complete Specifications and Drawings open to Inspection	431
International and Intercolonial Arrangements for the Mutual Protection of Patents and Trade Marks ..	432
Patent Publications in New Zealand	432
Books and Documents open to Inspection at Patent Office, Wellington	432
Books, Documents, &c., open to Inspection at Local Patent Offices, Auckland, Christchurch, and Dunedin ..	433
Official Publications	433
Local Patent Offices	433
Patent Agent registered	433
Applications for Letters Patent filed	433
Complete Specifications filed after Provisionals ..	434
Complete Specifications accepted	434
Provisional Specifications accepted	438
Letters Patent sealed	439
Letters Patent on which Fees have been paid ..	439
Request for Amendment of Application for Letters Patent allowed	439
Subsequent Proprietors of Letters Patent registered ..	439
Applications for Letters Patent abandoned	439
Applications for Letters Patent void	439
Applications for Letters Patent lapsed	439
Application for Letters Patent withdrawn	439
Letters Patent void	439
Designs registered	440
Design expired	440
Applications for Trade Marks filed	440
Applications for Registration of Trade Marks ..	440
Trade Marks registered	445
Subsequent Proprietors of Trade Marks registered ..	445
Trade Mark Renewal Fees paid	445
Applications for Trade Marks abandoned or refused ..	445
Application for Trade Mark withdrawn	445
Trade Mark Registration cancelled	445
Trade Marks removed from the Register	445
Quarterly List of Inventors*	446
Quarterly List of Inventions*	457
Quarterly List of Trade Marks Applicants*	469
Quarterly List of Designs Applicants (two quarters)* ..	472

Complete Specifications and Drawings open to Inspection at Auckland, Dunedin, and Christchurch.

COPIES of the complete specifications and drawings advertised in the *Gazette* will be sent for public inspection to the

LOCAL PATENT OFFICES
IN THE
SUPREME COURT BUILDINGS

in the following towns on or about the dates mentioned:—

Auckland.

Gazette No. 12, of the 11th February. 17th February to 3rd March, inclusive.

Dunedin.

Gazette No. 12, of the 11th February. 10th March to 24th March, inclusive.

Gazette No. 7, of the 28th January. 24th February to 10th March, inclusive.

Gazette No. 4, of the 14th January. 10th February to 24th February, inclusive.

Christchurch.

Gazette No. 12, of the 11th February. 29th March to 13th April, inclusive.

Gazette No. 7, of the 28th January. 15th March to 29th March, inclusive.

Gazette No. 4, of the 14th January. 1st March to 15th March, inclusive.

Gazette No. 105, of the 23rd December. 15th February to 1st March, inclusive.

* Alphabetical lists for the preceding quarters of the year 1908 appear in *Gazettes* No. 37, of the 12th May, 1908; No. 65, of the 20th August, 1908; and No. 85, of the 29th October, 1908.

[NOTE.—The office can take no responsibility if from any cause the specifications are not so available.]

International and Intercolonial Arrangements for the Mutual Protection of Patents and Trade Marks.

INTERNATIONAL CONVENTION.

THE following countries now belong to the Convention:—

Australia.	Italy.
Belgium.	Japan.
Brazil.	Mexico.
Ceylon.	New Zealand.
Cuba.	Norway.
Denmark and Faroe Islands.	Portugal, with the Azores and
Dominican Republic.	Madeira.
France, with Algeria and	Servia.
Colonies.	Spain.
Germany.	Sweden.
Great Britain.	Switzerland.
Holland, with East Indian	Tunis.
Colonies, Curaçoa, and	United States of America.
Surinam.*	

* Trade marks only.

Separate arrangements have been made between Australia and New Zealand.

Particulars of the Convention and of such arrangements may be seen in the following *Gazettes*:—

Notification of adhesion of New Zealand to the Convention, with text thereof (in English), in the *Gazette* of 26th November, 1891; notification of adherence of New Zealand to the Additional Act of the Convention, with text (in English), of such Additional Act, in Patents Supplement to *Gazette* No. 101, of the 16th November, 1905; Order in Council applying section 103 of the Imperial Act to New Zealand, in *Gazette* No. 27, of the 15th May, 1890; Orders in Council containing arrangements between Australia and New Zealand, in Patent Supplements to the *Gazette* Nos. 22 of the 9th March, 1905, and 38 of the 20th April, 1905.

Patent Publications in New Zealand.

THE following publications relating to Patents for inventions, &c., are open to inspection in the Dominion:—

WELLINGTON.—PATENT OFFICE LIBRARY.

United Kingdom.

The full text of the specifications and complete drawings of inventions patented from the year 1617 up to the 1st October, 1908.

Classified illustrated abridgments of inventions from 1855 to 1905 and part of 1906.

Illustrated Official Journal, containing lists of recent applications, abridgments of inventions for which patents have been lately granted, patents void, &c., to December, 1908.

Index of Applicants.

Subject-matter Index.

Commissioner of Patents Journal, &c. (a).

Trade Marks Journal to September, 1908.

Canada.

Patent Office Record (containing illustrated abridgments of inventions, &c.) to August, 1908.

Australia.

The full text of the specifications and complete drawings in respect of applications accepted from the 11th January, 1906, to the 28th May, 1908, inclusive.

The Official Journal of Patents of the Australian Commonwealth (containing lists of applications for letters patent, abridgments of complete specifications accepted, &c.).

The Australian Official Journal of Trade Marks (containing lists of applications for registration of trade marks, &c.).

Specifications, drawings, abridgments, and indexes of Victoria, New South Wales, Queensland, and South Australia (b).

United States.

The full text of the specifications and drawings for the years 1905 and 1906.

The Official Gazette of the United States Patent Office (containing illustrated abridgments of specifications, &c.) to December, 1908.

Mexico.

The Official Gazette of the Patent and Trade Mark Office.

(a) Discontinued.

(b) In arrears. Not now being printed.

General.

La Propriété Industrielle (the official organ of the International Bureau of the Union for the Protection of Industrial Property).

Patent laws of the world.

Patent and Trade Mark Review.

Text-books and handbooks on patents and trade marks.

AUCKLAND.—PUBLIC LIBRARY.

United Kingdom.

Classified abridgments of inventions from 1855 to 1904.

Illustrated Official Journal from 1897 to date.

Canada.

Patent Office Record (containing illustrated abridgments of inventions, &c.) from 1897 to date.

Australia.

The Official Journal of Patents from 1905 to date.

United States.

The Official Gazette of the United States Patent Office (containing illustrated abridgments of specifications, &c.) from 1885 to 1887 and 1890 to 1895.

CHRISTCHURCH.—PUBLIC LIBRARY.

United Kingdom.

Classified abridgments of inventions from 1855 to 1904.

Illustrated Official Journal from October, 1905, to date.

Canada.

Patent Office Record (containing illustrated abridgments of inventions, &c.) from 1897 to date.

Australia.

The Official Journal of Patents from 1905 to date.

DUNEDIN.—TOWN HALL.

United Kingdom.

Classified abridgments of inventions from 1855 to 1904.

Illustrated Official Journal from October, 1905, to date.

Australia.

The Official Journal of Patents from 1905 to date.

Books and Documents open to Inspection at Patent Office, Wellington.

THE following documents and books are open to public inspection at the Patent Office:—

PATENTS.

(Fee for each search or inspection, not exceeding one hour, 1s.)

1. The files relating to all applications for letters patent in respect of which complete specifications have been accepted.
2. Classified copies of specifications and drawings, with index and key (a).
3. Register of Applications for Letters Patent.
4. Register of Patents.
5. Register of Subsequent Proprietors of Letters Patent (b).
6. Index of Patentees (c).
7. Index of Proprietors of Letters Patent granted prior to 1890 (d).
8. Index of Specifications (e).

DESIGNS.

(Search fee, 1s. each quarter of an hour.)

1. Register of Designs, with Index of Names of Proprietors.
2. Classified Representations of Designs in respect of which Copyright has expired.
3. Index of Designs.

(a) Key is in card index.

(b) This Register contains only names of subsequent proprietors of letters patent granted prior to 1st January, 1890; since that date they appear in Register of Patents.

(c) Includes all names of applicants, &c., and consists of four volumes to 4th November, 1903, and card index since that date. A separate card index is kept for current quarter.

(d) The names of proprietors of subsequent letters patent appear in the Index of Patentees.

(e) Contains classified abridgments of specifications from 1861, with extracts from drawings from July, 1904.

TRADE MARKS.

(Search fee, 1s. each quarter of an hour.)

1. The files relating to all applications for registration of trade marks.
2. Register of Applications for Registration of Trade Marks.
3. Register of Trade Marks.
4. Index of Applicants for Registration of Trade Marks^(a).
5. Index of Trade Marks.
6. Classified Representations of Trade Marks, with indexes.

MISCELLANEOUS.

Register of Patent Agents.

FORMS AND PUBLICATIONS.

The following forms, &c., may be had on application at the Patent Office, Wellington, or at any of the local Patent Offices named below:—

- Application for letters patent.
- Provisional specification.
- Complete specification and copy thereof.
- Application for registration of design.
- Application for registration of trade mark.
- Applications for extension of time.
- Requests by subsequent proprietor to enter name on Register of Patents and Trade Marks.
- Printed sheets of information as to fees and procedure to obtain letters patent and to register a trade mark^(b).
- Pamphlet containing Act and Regulations (price 1s.).

^(a) Names of applicants for registration and proprietors of trade marks are indexed at the beginning of the Registers up to 31st December, 1889; in separate volume up to 5th September, 1904; and since the latter date in card index.

^(b) May also be obtained at any local Patent Office or money-order office.

Books, Documents, &c., open to Inspection at Local Patent Offices, Auckland, Christchurch, and Dunedin.

BOOKS, documents, &c., open to inspection, and forms, &c., procurable, at the local Patent Offices at Auckland, Christchurch, and Dunedin.

BOOKS, ETC., OPEN TO INSPECTION.

Complete specifications and drawings of inventions. (Note.—One set of the specifications and drawings is sent, on acceptance, to Auckland, Christchurch, and Dunedin in succession, remaining fourteen days at each place, as advertised in the *Gazette*. Search fee, 1s. per hour.)

Classified abridgments of inventions from 1st January to 30th September, 1908. (Search fee, 1s.)

Weekly lists of applications for patents up to and including those filed on Friday may be seen on the following Monday. (Search fee, 1s.)

Name Index—Patents, 1861 to 1889. (Search fee, 1s.)

Annual Reports, containing alphabetical lists of applicants and subject-matter indexes since 1890.

Patents Supplement to the *New Zealand Gazette*.

Patents, Designs, and Trade Marks Act and Rules.

Acts and Rules of other countries.

Australian Official Journal of Patents.

FORMS, ETC., OBTAINABLE.

The following forms, &c., may be obtained on application:—

- Applications for letters patent.
- Provisional specification.
- Complete specification, and copy thereof.
- Application for registration of design.
- Application for registration of trade mark.
- Applications for extension of time.
- Requests by subsequent proprietor to enter name on Register of Patents and Trade Marks.
- Printed sheets of information as to fees and procedure to obtain letters patent and to register designs and trade marks.
- Pamphlet containing Act and Regulations. (Price, 1s.)

NOTE.—The classified abridgments of the specifications and drawings of the United Kingdom may be seen in the Public Library. Other publications will be placed on file as soon as they are available.

Official Publications.

THE following publications may be obtained from the Government Printer, Wellington:—

Printed specifications to the end of the year 1879.

Annual lists of letters patent and letters of registration applied for, and particulars of applications lapsed, and patents lapsed, from 1880 to 1893 inclusive. (The lists for the last four of these years are contained in the *Annual Reports of the Registrar*.)

Annual reports of the Registrar, containing alphabetical indexes of applicants for letters patent and of subject-matter of inventions patented from 1894 to 1906 inclusive.

The Patents Supplement to *Gazette* (containing notifications, applications for letters patent, abridged descriptions and drawings of inventions, &c.), published fortnightly.

Local Patent Offices.

LOCAL Patent Offices for the reception of applications, supply of forms, &c., have been established at the following places:—

- Auckland—Supreme Court. (E. W. Cave, agent.)
- Whangarei—Courthouse. (W. J. Reeve, agent.)
- Thames—Courthouse. (J. Jordan, agent.)
- Waihi—Courthouse. (J. McIndoe, agent.)
- Hamilton—Courthouse. (H. J. Dixon, agent.)
- Gisborne—Courthouse. (G. J. A. Johnstone, agent.)
- New Plymouth—Courthouse. (J. Terry, agent.)
- Napier—Courthouse. (A. Trimble, agent.)
- Wanganui—Courthouse. (C. A. Barton, agent.)
- Taihape—Courthouse. (W. Baker, agent.)
- Palmerston North—Courthouse. (C. J. Hewlett, agent.)
- Masterton—Courthouse. (M. Foley, agent.)
- Nelson—Courthouse. (E. C. Kelling, agent.)
- Blenheim—Courthouse. (F. W. Hart, agent.)
- Westport—Courthouse. (O. B. Bowling, agent.)
- Greymouth—Courthouse. (B. Harper, agent.)
- Hokitika—Courthouse. (J. N. Nalder, agent.)
- Christchurch—Supreme Court. (W. W. Samson, agent.)
- Ashburton—Courthouse. (J. Fitzgerald, agent.)
- Timaru—Courthouse. (T. W. Tayler, agent.)
- Oamaru—Courthouse. (A. A. Mair, agent.)
- Dunedin—Supreme Court. (T. E. Roberts, agent.)
- Clyde—Courthouse. (F. T. D. Jeffery, agent.)
- Gore—Courthouse. (G. H. Lang, agent.)
- Queenstown—Courthouse. (A. J. Thompson, agent.)
- Invercargill—Courthouse. (J. R. Colyer, agent.)

Patent Agent registered.

Patent Office,
Wellington, 10th February, 1909.

IT is hereby notified that

BERNARD CROMPTON SMITH,

of Picton, in the Dominion of New Zealand, Solicitor, has been registered as a Patent Agent.

Applications for Letters Patent filed.

LIST of applications for Letters Patent filed. (Where a complete specification accompanies an application an asterisk is affixed; in all other cases a provisional specification has been lodged. In all cases where the applicant is not the inventor the name of the latter appears in italics after the title.)

- No. 25489.—23rd January.—H. H. Oxley, Auckland, N.Z. Brooch-pin attachment.
- No. 25490.—22nd January.—A. Hodgkinson, Greymouth, N.Z. Wire-strainer.
- No. 25491.—27th January.—D. Honeywood, Battersea, Eng., and G. Payne, Chiswick, Eng. Ore-rock, &c., crusher or grinder.*
- No. 25492.—27th January.—W. W. Boyes, Otahuhu, N.Z. Ship-propelling.
- No. 25493.—27th January.—United Shoe Machinery Company, Paterson, U.S.A. Dieing-out press for upper-leather, &c. (A. Bates.)

- No. 25494.—27th January.—United Shoe Machinery Company, Paterson, U.S.A.
Dying-out press for upper-leather, &c.
(A. Bates.)
- No. 25495.—27th January.—A. Goding, Surry Hills, Vic.
Steam-generator for motor-car, &c.*
- No. 25496.—27th January.—E. Schwer, Sydney, N.S.W.
Sheet-metal bath.*
- No. 25497.—25th January.—A. Edmond, Dunedin, N.Z.
Spectacles.
- No. 25498.—25th January.—G. H. Hicks, Ravensbourne, N.Z.
Fastener for awnings, tarpaulins, &c.
- No. 25499.—28th January.—A. E. Whitelaw, Clifton Hill, Vic.
Boot, &c., upper forming machine.*
- No. 25500.—28th January.—H. Hadida, London, Eng.
Coin-freed machine.
- No. 25501.—26th January.—F. J. Easther, Dunedin, N.Z.
Window and blind attachment.
- No. 25502.—28th January.—T. and H. Vivian, Dunedin, N.Z.
Hair-curler.
- No. 25503.—28th January.—F. H. Trevellian, Christchurch, N.Z.
Document-file.
- No. 25504.—28th January.—J. Coutts and A. H. Davies, Dunedin, N.Z.
Electric-cable connector.
- No. 25505.—28th January.—E. Brandon, Fendalton, N.Z.
Laundry-iron heater.
- No. 25506.—30th January.—A. Lyell, Wellington, N.Z.
Non-refillable bottle.
- No. 25507.—1st February.—A. P. Carlyle, Wellington, N.Z.
Clothes-washing machine.
- No. 25508.—28th January.—T. W. Mayson and H. A. Cornes, Auckland, N.Z.
Insect- and dust-proof screen for window.
- No. 25509.—27th January.—Ransome International Conduit Company, New York, U.S.A.
Construction of concrete-work.* (E. L. Ransome.)
- No. 25510.—30th January.—J. F. Ross, Toronto, Canada.
Self-sealing can.*
- No. 25511.—2nd February.—International Typewriter Company, Chicago, U.S.A.
Typewriter.* (C. S. Nickerson.)
- No. 25512.—2nd February.—J. F. Studholme, Ruanui, N.Z.
Rotary engine.*
- No. 25513.—3rd February.—A. J. Bedford, Melbourne, Vic.
Gas-lamp lighter and extinguisher.* (Date applied for under section 98, 15th April, 1908.)
- No. 25514.—3rd February.—A. J. Bedford, Melbourne, Vic.
Gas-lamp lighter and extinguisher.* (Date applied for under section 98, 15th October, 1908.)
- No. 25515.—3rd February.—G. Claydon, Christchurch, N.Z.
Flax-stripper.*
- No. 25516.—3rd February.—G. S. Marley, Wellington, N.Z.
Embrocation.*
- No. 25517.—3rd February.—J. P. Carmine, Westport, N.Z.
Automatic coupling.
- No. 25518.—2nd February.—Craddock and Co., Christchurch, N.Z.
Flooring cramp.
- No. 25519.—4th February.—H. G. Freeman and G. R. Warren, Sydney, N.S.W.
Bowl-testing device.
- No. 25520.—4th February.—G. B. Johnson, London, Eng.
Sheet-metal shearing-machine.* (Date applied for under section 98, 3rd April, 1908.)
- No. 25521.—4th February.—J. G. Henrich, London, Eng.
Valve-stopper for siphon bottle.*
- No. 25522.—4th February.—E. B. Killen, London, Eng.
Wooden wheel.*
- No. 25523.—4th February.—E. B. Killen, London, Eng.
Tire and attaching device.*
- No. 25524.—4th February.—W. Painter, Ruapuna, N.Z.
Grass-stripper.*
- No. 25525.—4th February.—Monotype-machine (Colonial Patents Syndicate) Limited, London, Eng.
Justifying mechanism for composing-machine.* (J. S. Bancroft and M. C. Indahl.)
- No. 25526.—4th February.—W. White, Chicago, U.S.A.
Washing and filling locomotive, &c., boilers.* (Date applied for under section 98, 8th June, 1908.)
- No. 25527.—4th February.—A. Martin, Ngatimoti, N.Z.
Door-check.*
- No. 25528.—5th February.—A. K. W. Rissel, Stratford, N.Z.
Ship's course recorder, &c.
- No. 25529.—5th February.—C. Craig, Broken River, N.Z.
Recovering valuables from sunken ships.
- No. 25530.—5th February.—L. G. Grace, Hawera, N.Z.
Power device.
- No. 25531.—6th February.—A. Reeves, Kingston, Tas.
Chimney-top.*
- No. 25532.—6th February.—J. E. Tatham, Balmain, N.S.W.
Needleholder.*
- No. 25533.—4th February.—Victor Automatic Carriers, Limited, Montreal, Canada.
Newspaper-carrier.*
- No. 25534.—8th February.—T. S. Philpott, Wellington, N.Z.
Voting-machine.
- No. 25535.—8th February.—J. O. Suckling, A. H. Herbert, and E. Page, Eketahuna, N.Z.
Flushing mechanism.
- No. 25536.—8th February.—L. N. Dyrberg, Ashburton, N.Z.
Fireplace-front.*
- No. 25537.—5th February.—S. D. McMiken, Komata, N.Z.
Steel and iron protecting in reinforced concrete.*
- No. 25538.—6th February.—E. N. J. Germeau, Jumet, Belgium, and A. N. G. Bouton, Ixelles-Bruxelles, Belgium.
Boiler-seating.* (Date applied for under section 98, 21st April, 1908.)
- No. 25539.—8th February.—T. Jackson, Opawhanga, N.Z.
Scrub-utter.
- No. 25540.—8th February.—H. P. Evans, Auckland, N.Z.
Process for preserving fish.*

Complete Specifications filed after Provisionals.

LIST of complete specifications filed after provisional specifications, from the 26th January to the 8th February, 1909, inclusive:—

- No. 24190.—J. E. L. Cull, electric smelting-furnace.
- No. 24224.—C. Suttie and M. H. Wynyard, flax-treatment.
- No. 24325.—United Shoe Machinery Company, boot-machine. (R. F. McFeely.)
- No. 24326.—United Shoe Machinery Company, boot-machine. (R. F. McFeely.)
- No. 24328.—United Shoe Machinery Company, boot-machine. (A. Bates.)
- No. 24329.—United Shoe Machinery Company, fastener-inserting machine. (G. Goddu.)
- No. 24330.—United Shoe Machinery Company, insole-operating, &c., machine. (J. Cavanagh, jun.)
- No. 24344.—C. Suttie and M. H. Wynyard, fibre-holder.
- No. 24345.—C. Suttie and M. H. Wynyard, flax-dressing apparatus.
- No. 24346.—C. Suttie and M. H. Wynyard, flax-dressing machine.
- No. 24489.—J. Blake, milking-machine.
- No. 24700.—A. H. Wright, advertising apparatus.
- No. 25058.—H. Quertier, umbrella.
- No. 25125.—W. H. Trengrove and H. E. Dovey, finger-protecting sewing-shield.

[NOTE.—No. 24190 above was inadvertently gazetted in the *Gazette* of 14th January.]

Notice of Acceptance of Complete Specifications.

Patent Office,
Wellington, 10th February, 1909.

COMPLETE specifications relating to the undermentioned applications for Letters Patent have been accepted, and are open to public inspection at this office. Any person may, at any time within two months from the date of this *Gazette*, give me notice in writing of opposition to the grant of any such patent. Such notice must set forth the particular grounds of objection, and be in duplicate. A fee of 10s. is payable thereon.

No. 23895.—8th January, 1908.—OTTO LUDWIG AHRENS, Hamburg; PETER ADAM SCHMITT, Hamburg; CHRISTIAN MOSLE, Bremen; KARL ALBERT MAXIMILIAN WEPFER, Bremen: all of Germany, Merchants. Process for preserving meat.

Claims.—(1.) Process of preserving raw meat, which consists in rubbing salt upon the entire surface of the meat to form, by such salt and the exterior meat-juices, a concentrated

saline solution upon the surface of the meat, causing the superfluous solution to run off, and storing the meat in a receptacle containing carbonic-acid gas, substantially as specified. (2.) Process for preserving meat, consisting in the fact that the meat superficially sterilised with cooking-salt is subjected to the action of carbonic acid in appropriate receptacles repeatedly for from twelve to twenty-four hours at a pressure of, say, two to three atmospheres, until the carbonic acid contained in the receptacles contains not more than 1 per cent. of air.

(Specification, 4s.)

No. 24042.—12th March, 1908.—JAMES R. NOBLE, of Waihi, New Zealand, Battery-manager, and FREDERICK CAPEL BROWN, of Waihi aforesaid, Mining Engineer. An improved method of feeding tube mills, and ball mills and similar grinding and pulverising machines.*

Claims.—(1.) The method of feeding tube mills or the like by means of a material-conducting pipe arranged within a pipe in such a manner that there is a space between the two pipes, in the manner and for the purpose set forth, as described and illustrated. (2.) The apparatus consisting of a tube or nozzle arranged within a tube or sleeve, and an annular space between, in connection with tube mills and the like, for the purpose set forth, as described and illustrated. (3.) The apparatus consisting of a tube or nozzle arranged within a tube or sleeve, and an annular space between, in connection with tube mills and the like, and a device for automatically closing said annular space when required, for the purposes set forth, as described and illustrated.

(Specification, 3s. ; drawing, 2s.)

No. 24171.—25th March, 1908.—UNITED SHOE MACHINERY COMPANY, of Paterson, in the State of New Jersey, United States of America, a corporation duly organized under the laws of said State of New Jersey, carrying on business as Shoe-machinery Manufacturers, and having a place of business at 205 Lincoln Street, Boston, in the Commonwealth of Massachusetts, in said United States of America (assignees of Orrell Ashton, of Lawrence, in the County of Essex and said Commonwealth of Massachusetts, Machinist). Improvements in or relating to machines for assembling parts of boots and shoes.*

Extracts from Specification.—An important feature of the present invention consists in the provision, in a machine having mechanism for inserting a fastening in the rear face of a last, of means for positioning relatively the last and said mechanism to insure operation of said mechanism within the area of said face. . . . The machine to which the present invention is shown applied includes devices for wiping the upper over the edge of the last, and for pressing the upper into close engagement with the last adjacent to the sole, and means for securing the wiped-over upper to an inner sole mounted upon the last. . . . Another feature of the present invention consists in means for locating the last in a predetermined position with relation to the wiping-mechanism. This positioning is preferably effected before the work is engaged by any of said parts.

[NOTE.—The above extracts from the specification are inserted in place of the claims.]

(Specification, 12s. 6d. ; drawing, 4s.)

No. 24172.—25th March, 1908.—UNITED SHOE MACHINERY COMPANY, of Paterson, in the State of New Jersey, United States of America, a corporation duly organized under the laws of said State of New Jersey, carrying on business as Shoe-machinery Manufacturers, and having a place of business at 205 Lincoln Street, Boston, in the Commonwealth of Massachusetts, in said United States of America (assignees of Orrell Ashton, of Lawrence, in the County of Essex and said Commonwealth of Massachusetts, Machinist). Improvements in or relating to pulling-over machines.*

Extracts from Specification.—The mechanism in which the invention is shown as embodied comprises two pairs of gripper-jaws connected to a common actuator and arranged to engage adjacent portions of stock. . . . A feature of the invention consists in a grippers mechanism comprising a plurality of pairs of jaws and a connection between the

pairs of jaws, and a single actuator which will insure a greater movement to one pair of jaws than to the other pair. . . . The rear jaws are connected with a lifting-bar which has a lost-motion connection with the forward jaws, and through which the two pairs of jaws are moved together during the latter part of the pulling movement of the gripper mechanism. . . . A feature of the invention consists in a grippers mechanism comprising co-operating jaws, one of which is provided with a tooth or rib arranged opposite a plane face on the co-operating jaw. . . . Improved means for holding the upper and for pressing it into position to be secured. . . . Upper-holding means arranged entirely below the plane of the last-bottom, and adapted to clamp the upper against the side of the last at and adjacent to the edge of the last.

[NOTE.—The above extracts from the specification are inserted in place of the claims.]

(Specification, 10s. ; drawing, 2s.)

No. 24654.—14th July, 1908.—ALEXANDER ALLAN, of 13 Gear Street, Petone, Railway-workshops Manager, and THOMAS BOWLING, of 27 Myrtle Crescent, Wellington, New Zealand, Engineer. An automatic hot-air indicator.*

Extract from Specification.—This invention relates to apparatus used for giving warning upon the outbreak of fire, and operates by the expansion of air in closed vessels connected to a tube terminating in a U-shaped bend. Mercury held in the bend is forced by the expanding air into contact with the ends of two wires forming part of an electric-bell circuit, the mercury closing the circuit, with the result that the bell is rung and an alarm given. The wires preferably terminate in a pocket into which the mercury overflows through a hole provided in the tube. The circuit remains closed until the mercury is removed, so that if the apparatus should be injured and allow the mercury in the bend and the air to escape after the alarm has commenced to operate, then the mercury retained in the pocket will still suffice to keep the alarm sounding.

[NOTE.—The above extract from the specification is inserted in place of the claims.]

(Specification, 3s. ; drawing, 1s.)

No. 24657.—11th July, 1908.—JOHN MARKS, of Devonport, near Auckland, New Zealand, Engineer. A reversible high-speed turbine.*

Extract from Specification.—The engine is of the turbine character, and also partakes somewhat of the rotary style, but it is considered to be more of a turbine than a rotary, and has been so entitled in this specification. As shown in the drawings, it has three rollers which work within a casing body. The centre roller has a resistance roller on each side of it, and is itself the power receiver and distributor; the three rollers are mounted on to shafts, one on each, which shafts are secured by adjustable bearings. Cog-wheel connections, inlet and outlet ports, vanes, recesses, grooves, and the various other parts forming the engine or fitted as adjuncts thereto are set out in detail and particularize its construction and action.

[NOTE.—The above extract from the specification is inserted in place of the claims.]

(Specification, 10s. 6d. ; drawing, 5s.)

No. 25082.—15th October, 1908.—JOHN ALFRED POWRIE, of Lower Hutt, Wellington, New Zealand, Builder. Improvements in poultry- and stock-feeding bins.

Extract from Specification.—In carrying out my invention I construct a bin as shown, hinged at H to allow of filling, and affix to it a platform A, which when a given weight goes on it goes down, pulling connecting-rod B, which pulls on the lever C, which thrusts against connecting-rod D, which in turn works lever E, opening flap F, which is weighted at G the required amount to bring it back to its normal position. A small trough at I catches any food that may fall.

[NOTE.—The above extract from the specification is inserted in place of the claims.]

(Specification, 1s. 6d. ; drawing, 1s.)

No. 25083.—15th October, 1908.—JOHN ALFRED POWRIE, of Lower Hutt, Wellington, New Zealand, Builder. Improvements in water-strainers.

Extract from Specification.—A galvanised-iron tank I into which the water flows at A, passing through strainers B, C, and into the main tanks at outlet D. When the main tank is full the water rises in tank I and flows through outlet E into movable bucket F, which when full pulls lever G, lifts weight H, thus allowing water to flow through the bottom of tank I at L, thus flushing the strainers at C, B, as well as the tank I, and passes out at waste-pipe at bottom. Water runs slowly out of bucket F at J into waste-pipe K, allowing weight H to pull bucket F into its normal position after a certain space of time, at which time the weight will again close the waste-pipe at L. Straps M suitably fastened and fitting loosely may be used to steady the apparatus.

[NOTE.—The above extract from the specification is inserted in place of the claims.]

(Specification, 1s. 6d.; drawing, 1s.)

No. 25295.—30th November, 1908.—FRANCIS ERNEST ROSS, of Cambridge, Auckland, New Zealand, Farmer. Sanitary apparatus for use in milking-sheds.*

Extract from Specification.—The invention consists in providing a shute or shutes, which are connected by bars to a drain in such a way that the shute will, when in operation, be fitted to the back part of the cow or cows, so that while the milking is taking place the droppings of the cow will be caught by the shute, and thereby no part of the droppings of the cow will reach or fall into the receptacle holding the drawn milk; and in providing a means of removing the droppings from the drain in the manner detailed.

[NOTE.—The above extract from the specification is inserted in place of the claims.]

(Specification, 5s. 6d.; drawing, 1s.)

No. 25338.—12th December, 1908.—HENRY HAWORTH HESKETH, of "Fleetwood," Fairfax Road, Epsom, Auckland, New Zealand, Dentist's Assistant. Mechanical time gas cut-off, with electric alarm.

Claims.—(1.) In the arrangement of cylinder No. 2 inside cylinder No. 1, together with its attachments, the lead weight and the metal rod C, for the purposes aforementioned, and as illustrated and described. (2.) In the arrangement of the gas-tap with its attachment, the bent metal strip being so placed that it is actuated by the rod C when said rod C travels down to it, all as described and illustrated. (3.) In the arrangement of the two flat metal springs 1 and 2 being so placed in electrical circuit with an electric bell, an electric battery, and an electric switch, that an alarm is given when the bent strip on gas-tap makes metallic connection with them. (4.) In the arrangement of the hinge and flat metal spring on rod C for the purposes as aforementioned, and as described and illustrated. (5.) In the arrangement of the metal tubing with its attachments, all as aforementioned, and as illustrated and described. (6.) In the arrangement, in combination, of all the aforementioned parts as fully described, and as illustrated.

(Specification, 6s.; drawing, 1s.)

No. 25390.—23rd December, 1908.—THE NIGHTINGALL GAS CONTROL COMPANY, LIMITED, of 369 Collins Street, Melbourne, Victoria, Australia (assignees of Victor Charles John Nightingall). Improved apparatus for lighting and extinguishing street and other gas lights from a distance.

Claims.—(1.) In apparatus for lighting and extinguishing street and other gas lights from a distance, an expanding governor, thermostat, capsule, or other device, as 29, actuated by temperature, and operating a two-way switch, substantially as and for the purposes specified, and as illustrated in the drawings. (2.) In apparatus for lighting and extinguishing street and other gas lights from a distance, a gas-supply pipe fitted or connected with bellows, gasometer, or other expanding chamber, as 2, operating a commutator, as 4a, controlling and operating an electric circuit, substantially as and for the purposes specified, and as illustrated in drawings. (3.) In apparatus for lighting and extinguishing street and other gas

lights from a distance, a commutator, as 4a, controlling and operating an electric circuit, substantially as described, and as illustrated in the drawings.

[NOTE.—Here follow twelve other claims.]

(Specification, 12s. 6d.; drawing, 2s.)

No. 25396.—30th December, 1908.—JOHN WYNNE STAMP and WALTER JASPER POWELL, of Nos. 582-586 Elizabeth Street North, Melbourne, Victoria, Australia, Engineers. Improvements in reducing-tanks for the treatment of offal, slaughterhouse refuse, and the like.

Claims.—(1.) In apparatus of the character described, the combination of a tank, a main steam-pipe, an exhaust-pipe, a pipe which is provided with outlets for steam and which extends axially through said tank and is connected with said main steam-pipe, a pipe which extends through said tank near the wall thereof and is connected with said exhaust-pipe and main steam-pipe, and valves which control the flow of the vapour through said pipes. (2.) In an apparatus of the character described, the combination of a tank, a main steam-pipe, an exhaust-pipe, a pipe which extends through said tank near the wall thereof, a connecting-pipe by which said last-named pipe is connected with said main steam-pipe and said exhaust-pipe, a steam-pipe which extends through said connecting-pipe and axially through said tank, and valves which control the flow of vapour through said pipes. (3.) In an apparatus of the character described, the combination of a rotary tank provided with a hollow trunnion, a pipe which passes through said trunnion into said tank, a steam-pipe which passes through said pipe and extends axially of said tank, a pipe which is connected with the first-named pipe and extends near the wall of said tank and inside thereof, a main steam-pipe, an exhaust-pipe, and valves controlling the flow of vapour through said pipes, said first-named pipe being connected with said main steam-pipe and exhaust-pipe. (4.) In an apparatus of the character described, the combination of a tank rotatable about a horizontal axis and having one of its end walls formed with holes through which the juices are strained, said holes lying in substantially a vertical plane, a cover detachably secured to said end wall over said holes and provided with a shaft-controlled outlet for the juices, and pipes for the introduction of steam into said tank to extract the juices from the material to be digested.

(Specification, 5s. 6d.; drawing, 1s.)

No. 25397.—30th December, 1908.—DE DION BOUTON (1907), LIMITED, of 10 Great Marlborough Street, London W., England (assignees of Albert De Dion and Georges Bouton, both Directors of De Dion et Cie, 20 Quai National, Puteaux, Seine, France). Improvements in or relating to pressure-bearings for bevel gears and the like.

Claims.—(1.) A bevel gear in which the side-thrust on one of the wheels is taken by a circular track fixed to and coaxial with the other wheel. (2.) A pressure-bearing for a bevel gear comprising a roller mounted on the shaft carrying one wheel, bearing on a ring which is secured to and coaxial with the other wheel, and is positioned on the opposite side of the first wheel to that on which the second wheel is positioned. (3.) A pressure-bearing for a bevel gear comprising a roller mounted on ball bearings on the shaft carrying one wheel bearing on a ring which is secured to and coaxial with the other wheel, and is positioned on the opposite side of the first wheel to that on which the second wheel is positioned, the engaging surfaces of the roller and the ring being suitably inclined to insure pure rolling contact. (4.) The complete pressure-bearing for a bevel gear substantially as described. (5.) The complete pressure-bearing for a bevel gear applied to the differential gear of a motor-car, substantially as described, or illustrated in the drawing.

(Specification, 3s.; drawing, 1s.)

No. 25398.—31st December, 1908.—PATENT HYDRO-CARBON LIMITED, whose registered office is at 52 Queen Victoria Street, London, England, Oil-refiners (assignees of James Noad, of 4 Grove Villas, High Street, East Ham, Essex, England, Engineer). Improvements in the treatment of hydrocarbon oils and the like for the production of volatile spirit.

Extract from Specification.—This invention relates to a process for converting hydrocarbon oils, or the like, herein-after referred to as oil, into volatile spirit. The invention is

characterized by introducing the oil to be converted in liquid form and water in liquid form in contiguous relation into a common chamber or retort, from which air is excluded, and which is packed with scrap iron, or is otherwise adapted to present a considerable area of iron in interstitial passages, and is maintained highly heated by a furnace or other suitable means, so that such liquids are vaporised and decomposed or dissociated in the presence of each other and of the highly heated iron which acts as a catalytic agent, and the vapours are caused to pass through the said interstitial passages. The resultant vapours are condensed, and the condensed products or the light portions thereof are rectified to separate the volatile spirit.

[NOTE.—The above extract from the specification is inserted in place of the claims.]

(Specification, 2s. 6d.)

No. 25402.—30th December, 1908.—The Honourable CHARLES ALGERNON PARSONS, C.B., of Heaton Works, Newcastle-on-Tyne, Northumberland, England, Engineer. Improvements relating to turbines.

Claims.—(1.) A compound elastic-fluid turbine, of the type in which the velocity of the steam through successive rows of guides and moving blades is maintained chiefly or entirely by dropping pressure in the rows of fixed guide and moving blades, divided into separate elements working in separate chambers, each element having a plurality of rotating rings of blades alternating with segmental guides which terminate in short end blockings in order to avoid excessive losses by skin-friction and spilling of the working fluid, substantially as described. (2.) A compound turbine according to claim 1, in which the bladed rotary elements and chambers are sufficient in number to insure that only a moderate pressure-drop shall take place in each chamber, and each rotary element carries only a small number of blades in order to limit the possibility of spilling, substantially as described. (3.) Propelling machinery for vessels in which the high-pressure stage or stages of the expansion of the working fluid is or are effected in one or more partial-admission turbines of the kind set forth in claim 1. (4.) Propelling machinery for vessels with one or more cruising turbines in which the cruising part of the plant consists of one or more partial-admission turbines of the kind set forth in claim 1. (5.) Turbines for propelling vessels in which the early stages of the expansion are dealt with in one or more turbine elements of the partial-flow type with "Parsons" blades, and later stages by turbine elements with annular admission, whether such turbines are cruising turbines or comprise part or the whole of the main turbines. (6.) A partial-admission turbine according to claim 1, with "Parsons" blades, balancing-means, and one or a plurality of steamways formed by short and blocked sectors, independently of or in the same casing with another turbine, substantially as described. (7.) A partial-admission turbine according to claim 1, with a plurality of steamways and means for regulating certain of said steamways, substantially as described. (8.) A partial-admission turbine with "Parsons" type blades, substantially as described with reference to Figs. 1 to 12 of the drawings. (9.) A partial-admission turbine with "Parsons" type blades, substantially as described with reference to Figs. 13 to 17 of the drawings. (10.) A partial-admission marine steam turbine with "Parsons" blades, substantially as described with reference to Figs. 18 to 24 of the drawings. (11.) In a partial-admission turbine of the kind set out in claim 1, draining-means substantially as described with reference to Figs. 25 to 28 of the drawings.

(Specification, 18s.; drawing, 8s.)

No. 25406.—30th January, 1908.—WILLIAM HENRY BIRD, of 30 Stapleton Road, Stroud Green, London, England, late of 452 Chester Road, Manchester, England, Boot-manufacturer. Improvements in or relating to pneumatic tires.

[NOTE.—This is an application under section 98 of the Act, the date given being the official date of the application in Great Britain.]

Claims.—(1.) In pneumatic tires having separate air-tubes and built up of two separate cheeks and a tread part clamped between them, forming the cheeks each of two or more plies or thicknesses of leather, with the peripheries of the inner plies brought together at the crown, and the peripheries of the outer plies separated therefrom by packing-strips or rings bearing upon the inner plies, the several thicknesses at the tread being clamped together by transverse rivets or the like, substantially as described.

[NOTE.—Here follow four other claims.]

(Specification, 3s.; drawing, 1s.)

No. 25407.—6th January, 1909.—JOHN HUTCHINGS, of Capel House, 62 New Broad Street, London, England, Mining and Mechanical Engineer. Improvements in and relating to internal-combustion motor-engine turbines or reaction wheels.

Claims.—(1.) The combination or arrangement with a reversible internal-combustion motor-engine turbine or reaction wheel having open-sided compartments, buckets, or vanes arranged around the rotor, and enclosed within the annular chamber, whose side walls are formed of pairs of oppositely inclined surfaces, each pair or span of such surfaces being equal to the width of two compartments of the rotor, said surfaces serving to deflect motive fluid impinging upon them under pressure in inclined directions by corresponding jets, from which surfaces the fluid is delivered on to the blades or buckets of the rotor in one or other of opposite directions, controlled by reversible simultaneously operated sets of supply and exhaust valves, which valves also control other passages supplying the fluid to the outer parts of the buckets, of a chamber whereinto motive fluid composed of combustible matter and air or oxygen combined is fed and ignited, and the resultant products of combustion are conveyed through channels regulated by valves to the jets referred to, there to drive the rotor, means for compressing such air, means for supplying combustible matter and air, a burner for effecting admixture and combustion of the combustible fluids when under high pressure, substantially as described and shown by the drawings. (2.) In an apparatus of the kind referred to in claim (1), the combination of means for supplying steam to the combustion-chamber as set forth. (3.) In an apparatus of the kind referred to in claim 1, the combination of simultaneously operated sets of valves for regulating the supply and the exhaust of the products of combustion and the compressed air delivered on to the rotor in order to its propulsion, substantially as described and shown by the drawings. (4.) In an apparatus of the kind referred to in claim 1, a combustion-chamber constructed and arranged to heat, admix, and effect combustion of the combined fluid as and for the purpose set forth and illustrated with reference particularly to Figs. 2 and 5. (5.) In an apparatus constructed and arranged substantially as referred to in claim 1, the inclusion of the apparatus for air-compression and regulated delivery illustrated in Figs. 3 and 6 and described in connection therewith. (6.) In a machine of the kind referred to, a turbine comprising a casing containing a rotor provided with a double series of peripherally arranged radial blades forming buckets, each set of buckets being open only to one side of the casing and the other set to the opposite side of the casing, and each so as to face inclined or curved surfaces arranged around this casing on its inner faces adjacent to the bucket-mouths, each pair of surfaces forming recesses which bridge over two buckets so that motive fluid introduced by suitable jets impinges on these faces, is guided on to the buckets, then open to them and therefrom on to the next pair of surfaces and on to the next bucket, and so on until the fluid is allowed to escape to exhaust. (7.) In an apparatus constructed and arranged substantially as referred to in claim 1, the inclusion of the modified apparatus for air-heating, compression, and regulated delivery illustrated by Fig. 10 and described in connection therewith.

(Specification, 12s.; drawing, 10s.)

No. 25408.—6th January, 1909.—JOHN HUTCHINGS, of Capel House, 62 New Broad Street, London, England, Mining and Mechanical Engineer. Improvements in apparatus for supplying combustible fluid under constant pressure.

Claims.—(1.) The construction and use of the mechanism for maintaining and controlling the pressure of the hydrocarbon motive fluid supplied under pressure to combustion-chambers of internal-combustion engines and the like, involving a double-ended piston having a larger end and smaller end, each reciprocating in a corresponding-shaped cylinder, a force pump and means for driving it, and co-acting connecting means between said piston and a valve inserted between the pump and reservoir whereby a part kept in contact with the said piston acts by its periodic movements to cause delivery of hydrocarbon fluid to the reservoir-cylinder, or to permit of its return to its source of supply, substantially as and for the purpose set forth and illustrated with reference to Fig. 4. (2.) In an apparatus of the kind referred to, the combination of a supply device for combustible fluid under constant pressure as described and shown by the drawings. (3.) In an apparatus constructed and arranged substantially as referred to in claim 1, the inclusion

of the modified apparatus for air heating, compression, and constant delivery illustrated by Fig. 5 and described in connection therewith.

(Specification, 7s. ; drawing, 5s.)

No. 25409.—6th January, 1909.—BRITISH FIXATOR, LIMITED (a company duly incorporated according to English law), of 73 Moorgate Street, London, England (assignee of Leopold Benoit de Laitte and Harold Mark Carter, both of 73 Moorgate Street, London, England). Improvements in the means for preventing accidental movement of rotating parts.

Claims.—(1.) Means for preventing accidental rotation of parts capable of rotating consisting in a helix fixed at one end and free at the other end and so arranged that accidental movement will cause it to bind, thereby preventing transmission of such accidental movement, and binding of the helix is prevented by holding the free end which permits intentional movement. (2.) The combination of a part capable of rotation, such as a nut or the like, having a portion surrounded by a helix, one end of which helix is fixed to a non-rotating part, substantially as and for the purpose set forth, and as illustrated in Fig. 3 of the drawings. (3.) A helix constructed and operating substantially as illustrated in Figs. 1 to 3, and combined with a piece capable of rotation as and for the purpose specified. (4.) A helix substantially as illustrated in Figs. 1 and 2 combined with a non-rotating part, a loose rotating part, and means for operating the loose part, such operating means being adapted to cause or permit rotation of the loose part, all so arranged that movement of the operating part is transmitted by a loose part to a device to be actuated by the whole, whilst accidental movement of the actuated part is prevented by the effect of the helix, substantially as specified, and as illustrated in Figs. 6, 6A, and 7. (5.) The combination of two helices of opposite inclination with an operated part and an operating part, the whole so arranged that the operating part may cause movement of the operated part in either direction, and that no movement of the operated part can take place accidentally, substantially as specified, and as illustrated in Fig. 8.

(Specification, 7s. 6d. ; drawing, 1s.)

No. 25424.—5th January, 1909.—GEORGE WILLIAM PENNEY, of Gore, New Zealand, Fellmonger. Apparatus for tightening wires.

Claims.—(1.) In appliances for straining wire, comprising a double standard, the parts thereof are secured to each other by rivets in such a manner that a space is formed between the said parts of the double standard, the said rivets providing a gauge for the pitch of the wires, a strainer and tension-pulley mounted between the parts of the said standard, a series of strapped pulleys, a flexible wire lace coupling the strainer, the strapped pulleys, the tension-pulleys, and the standard substantially as described. (2.) The general arrangement, construction, and combination of parts in my improved appliances for straining wire as described and explained, and as illustrated in the drawings.

(Specification, 2s. ; drawing, 1s.)

No. 25431.—9th January, 1909.—JOHN HARDLEY and JOHN WILLIAM HARDLEY, of Auckland, New Zealand, Manufacturing-plumbers, Iron and Steel Workers, and Importers. An improved ventilator and ridging for buildings.

Claims.—(1.) The improved ventilator and ridging for buildings specified consisting of the crescent-shaped top with the ordinary flange projections, said crescent-shaped top having portions of it cut out at intervals so as to make openings therein, and cap held over said top and openings by straps fitted internally to said cap in such a manner as to leave an open space between said cap and said flanges, and means for adjusting said ventilator and ridging to building constructed in the manner and for the purpose set forth as described and illustrated. (2.) In the improved ventilator and ridging for buildings specified, the openings made in the crescent-shaped top for the purpose set forth as described and illustrated. (3.) In the improved ventilator and ridging for buildings specified, the straps fitted internally to cap for holding said cap over top and openings therein in the manner and for the purpose set forth as described and illustrated. (4.) The application, arrangement, and combination of the parts specified for the purpose set forth as described and illustrated.

(Specification, 3s. ; drawing, 1s.)

No. 25475.—21st January, 1909.—JOHN MITCHELL, of Swanson Street, Auckland, New Zealand, Architect. Improvements in building-construction.

Claims.—(1.) In building-construction, the employment of the backing-slab having the horizontal and vertical trenches or recesses to receive reinforcing rods, substantially as specified. (2.) For the purpose indicated, the employment of wire ties 6, substantially as specified and illustrated. (3.) In building-construction, the employment of the backing-slabs in combination with the facing-slabs, substantially as specified and illustrated. (4.) For the purposes indicated, the employment of wire ties 21, substantially as specified and illustrated. (5.) In building-construction, the combination of the backing and facing slabs, horizontal and vertical reinforcing rods and wire ties, substantially as specified and illustrated. (6.) In building-construction wherein slabs are employed, the blocking 16 as and for the purpose specified and illustrated in the drawings. (7.) In building-construction, the employment of bricks constructed and arranged as specified and illustrated, having horizontal grooves for the reception of reinforcing rods. (8.) In building-construction of the character indicated, the employment of the wedge in combination with the wire tie or in combination with the wire gauge-cramp for spacing apart the backing and facing slabs, substantially as specified.

(Specification, 4s. ; drawing, 1s.)

An asterisk (*) denotes the complete specification of an invention for which a provisional specification has been already lodged.

NOTE.—The cost of copying the specification and drawing has been inserted after the notice of each application. An order for a copy or copies should be accompanied by a post-office order or postal note for the cost of copying.

The date of acceptance of each application is given after the number.

Extracts from the drawings accompanying the foregoing complete specifications appear at the end of this *Gazette*.

J. C. LEWIS,
Registrar.

Provisional Specifications accepted.

Patent Office,
Wellington, 10th February, 1909.

A PPLICATIONS for Letters Patent, with provisional specifications, have been accepted as under:—

- No. 24500.—W. L. Jolly, pneumatic sole.
No. 25295.—F. E. Ross, sanitary apparatus for use in milking-sheds.
No. 25336.—J. Wilson and J. Hilford, driving-belt pulley.
No. 25358.—A. J. Whett and J. L. Thornton, brick-making composition.
No. 25422.—F. C. Lippiatt, swingle-bar connection.
No. 25425.—A. L. J. Tait, flax-dressing machine.
No. 25429.—G. W. Penney, broom handle and socket.
No. 25440.—S. Malden and R. E. Rees, candle-extinguisher.
No. 25460.—W. C. Southgate, bottle-washing brush-tip.
No. 25468.—G. F. Tasker, street fire-alarm.
No. 25469.—M. Belk, propeller.
No. 25470.—L. G. Grace, puncture-preventer.
No. 25472.—F. O. Skelton, lid for condensed-milk tins, jugs, &c.
No. 25476.—G. L. Pearson, well-borer.
No. 25477.—W. G. Dart, billiard dining-table.
No. 25478.—P. T. Sheedy, drill and ridge scarifier.
No. 25479.—A. H. Jones, locking-bolts.
No. 25483.—G. H. Buckeridge, device to prevent keys, &c., being stolen from chains.
No. 25488.—A. Simonson and O. R. Petersen, gate or door fastener.
No. 25489.—H. H. Oxley, safety-pin attachment for brooches, &c.
No. 25490.—A. Hodgkinson, wire-strainer.
No. 25492.—W. W. Boyes, propulsion of ships.
No. 25493.—United Shoe Machinery Company, dieing-out machine for upper-leather. (A. Bates.)
No. 25494.—United Shoe Machinery Company, dieing-out machine for upper-leather. (A. Bates.)
No. 25497.—A. Edmond, rubber-cushioned spectacles, &c.
No. 25500.—H. Hadida, coin-freed machines.
No. 25504.—J. Coutts and A. H. Davies, cable-connector for tapping off and crossing lines, &c.
No. 25506.—A. Lyell, non-refillable bottle.
No. 25528.—A. K. W. Rissel, ship's course recorder and alarm.

[NOTE.—Provisional specifications cannot be inspected, or their contents made known by this office in any way, until the complete specifications in connection therewith have been accepted.]

Letters Patent sealed.

LIST of Letters Patent sealed from the 27th January to the 8th February, 1909, inclusive:—

- No. 23569.—J. D. McLaurin, introducing certificates, &c., into bales.
- No. 23586.—F. H. Trevellian, cash-register.
- No. 23626.—W. L. West, milking-machine cup.
- No. 23646.—A. E. Moss, vote-recorder.
- No. 23905.—M. U. Schoop, aluminium soldering.
- No. 23906.—J. R. Park, electric potential regulator. (Pintsch's Patent Lighting Company—O. Schaller.)
- No. 23931.—M. Rosenthal, room-heater.
- No. 24024.—British Automatic Aerators, Limited, aerating-machine. (H. Pearce.)
- No. 24334.—W. E. Garforth, respirator.
- No. 24335.—W. E. Garforth, respirator.
- No. 24336.—W. E. Garforth, respirator.
- No. 24374.—W. C. J. Schlie, wire-nail manufacture.
- No. 24401.—F. de J. Clere, brick and steel work.
- No. 24959.—G. Harker, fumigating-apparatus.
- No. 25057.—J. Mitchell, wall and partition.
- No. 25070.—J. Mitchell, wall and partition.

Letters Patent on which Fees have been paid.

[NOTE.—The dates are those of the payments.]

SECOND-TERM FEES.

- No. 18853.—C. J. Alexander, incandescent gas-burner. 1st February, 1909.
- No. 19055.—A. Hohn, electric ring, &c. 4th February, 1909.
- No. 19074.—The British Westinghouse Electric Manufacturing Company, Limited, electric-energy distribution. (J. P. Campbell—B. G. Lamme.) 4th February, 1909.
- No. 19182.—T. L. Willson, automatic gas-buoy. 27th January, 1909.

THIRD-TERM FEES.

- No. 14487.—I. A. Plummer, pattern for drafting garments. 29th January, 1909.
- No. 14545.—A. A. Francis, ore-concentrator. 28th January, 1909.
- No. 14549.—Lamson Store Service Company, Limited, cash-carrier cable system. (J. T. Cowley.) 27th January, 1909.

Request for Amendment of Application for Letters Patent allowed.

THE request to amend application and specification for Letters Patent No. 23556—Longuet, trouser-stretcher (advertised in Supplement to *New Zealand Gazette*, No. 105, of the 23rd December, 1908)—has been allowed.

Subsequent Proprietors of Letters Patent registered.

[NOTE.—The name of the former proprietor is given in brackets; the date is that of registration.]

- No. 12984.—William Henry Kinvig, of Wellington, New Zealand, Agent. Food for calves. (J. B. Mack.) 2nd February, 1909.
- No. 12984.—David James Orr, Chemist, and Maurice Edward Denniston, Dentist, both of Wellington, New Zealand. Food for calves. (W. H. Kinvig—J. B. Mack.) 2nd February, 1909.
- No. 15522.—Treuhand-Vereinigung, A. G., formerly of Markgrafenstrasse 51, but now of Behrenstrasse 53, Berlin, Germany. Machine for gathering and shaping glass. (The Toledo Glass Company—M. J. Owens.) 5th February, 1909.
- No. 16630.—Treuhand-Vereinigung, A. G., formerly of Markgrafenstrasse 51, but now of Behrenstrasse 53, Berlin, Germany. Receptacle for molten glass. (The Toledo Glass Company—M. J. Owens.) 5th February, 1909.
- No. 18154.—The Corallite Patent Filter Company, Limited, of Wellington, New Zealand. Filter for purifying feed-water for steam-boilers. (W. Cowern—F. G. Shury.) 28th January, 1909.
- No. 18985.—The Corallite Patent Filter Company, Limited, of Wellington, New Zealand. Filtering or purifying water. (W. Cowern.) 28th January, 1909.
- No. 24198.—Linotype and Machinery, Limited, of 188 and 189, Fleet Street, London, England. Quadding apparatus of typographical composing-machines. (J. T. Hunter—Linotype and Machinery, Limited—C. S. Woodroffe, H. Pearce, and J. E. Billington.) 2nd February, 1909.

Applications for Letters Patent abandoned.

LIST of applications, with which provisional specifications only have been filed, abandoned (*i.e.*, complete specifications not lodged) from the 26th January to the 8th February, 1909, inclusive:—

- No. 24180.—H. H. Rayward and E. S. Baldwin, filter-press. (A. J. Arbuckle and A. Osborne.)
- No. 24188.—A. J. Nicholas, fencing-wire fastener.
- No. 24189.—H. Quertier, enumerating tally-indicator.
- No. 24192.—T. M. Shepherd, weed-destroyer.
- No. 24193.—J. C. Dromgool, separating cyanides from slimes.
- No. 24194.—H. H. Hesketh, alarm and gas cut-off.
- No. 24202.—H. G. Hibberd, slimes-lifting.
- No. 24205.—S. K. McIver, furnace and copper.
- No. 24208.—A. G. R. Williams, gas-manufacture.
- No. 24211.—P. F. Acott, street-sweeper.
- No. 24212.—A. E. S. Foster and E. Berg, tobacco-pipe.
- No. 24213.—J. H. O'Callaghan, bicycle-pump.
- No. 24214.—M. G. Newbould, electric conductor cut-off.
- No. 24215.—H. Firth, window opener and fastener.
- No. 24216.—A. R. Hardy, roller-blind hanger.
- No. 24221.—T. S. Philpott, gas-burner.
- No. 24227.—J. A. Wilson, spring attachment for traces.
- No. 24231.—H. E. White, skylight-bar.
- No. 24233.—E. J. Butterworth, distance-measuring instrument.
- No. 24238.—C. J. Wattson, letter-card.
- No. 24252.—J. Christophersen, corkscrew.
- No. 24253.—W. H. Smith, siphon.

Applications for Letters Patent void.

APPPLICATIONS for Letters Patent, with which complete specifications have been lodged, void owing to non-acceptance of such complete specifications, from the 26th January to the 8th February, 1909, inclusive:—

- No. 23649.—R. A. Bayliffe, tire-cover. (A. H. B. Sharpe.)
- No. 23651.—W. Withell, aerial machine.
- No. 23657.—S. Coleman and A. J. O. Slight, teat-cup mouthpiece.

Applications for Letters Patent lapsed.

APPPLICATIONS for Letters Patent lapsed, owing to Letters Patent not being sealed, from the 26th January to the 8th February, 1909, inclusive:—

- No. 23213.—D. Hogg, disc cultivator.
- No. 23246.—J. D. Smith, trolley-pole retriever.
- No. 23268.—I. Harrison, greasing tram-rail curves.

Application for Letters Patent withdrawn.

THE following application for Letters Patent has been withdrawn:—

- No. 25231.—J. Blum and A. W. Carpenter, Para rubber manufacture. (Advertised in Supplement to *New Zealand Gazette*, No. 4, of the 14th January, 1909.)

Letters Patent void.

LIST of Letters Patent void through non-payment of renewal fees, and through expiry of term of fourteen years, from the 26th January to the 8th February, 1909, inclusive:—

THROUGH NON-PAYMENT OF SECOND-TERM FEES.

- No. 18661.—R. W. Haenke, gas-lamp lighter, &c.
- No. 18663.—G. A. Ellis and P. J. McGuire, billiard-table.
- No. 18672.—M. Belk, carcass-brand.
- No. 18674.—F. de J. Clere, window-sash.
- No. 18675.—C. B. and G. W. Plummer, hat.
- No. 18680.—Wellington Fresh Food and Ice Company, Limited, egg-carrier. (G. Finn and A. S. Pike.)
- No. 18684.—G. H. Fry, bicycle lock.
- No. 18692.—R. Law, temperature-regulator.
- No. 18694.—W. C. Watson and E. I. Setchell, electric belt.
- No. 18695.—W. Dawson, internal-combustion engine.
- No. 18699.—A. Matheson, postal wrapper.
- No. 18702.—H. E. McDonald, egg-preserving process.
- No. 18704.—F. Wilkinson, spouting-bracket.
- No. 18705.—W. B. Jones, spring-tine cultivator.

No. 18707.—J. T. Hunter, briquette-manufacture. (T. Rouse and H. Cohn.)
 No. 18712.—F. E. Hornidge, culinary utensil.
 No. 18736.—T. B. O'Connor, bridle, &c.
 No. 18740.—W. W. Bruce, fireproof floor, &c. (J. R. Little.)

THROUGH NON-PAYMENT OF THIRD-TERM FEES.

No. 14171.—A. J. Ross, teat-cutting instrument.
 No. 14175.—J. F. Ross, protecting river-banks.
 No. 14181.—Beard-Hayne Defibrator Company, fibre-separation. (E. Waters—J. F. Beard and R. Hayne.)
 No. 14197.—C. H. Ward, metal-extraction.
 No. 14206.—Austral Nail Company Proprietary, Limited, barbed-wire machine. (J. G. Lyon.)

THROUGH EXPIRY OF TERM.

No. 7399.—W. Hitch, bucket and strainer.

Designs registered.

DESIGNS have been registered in the following names on the dates mentioned:—

No. 455.—Caleb Yeoman Dally, of Masterton, New Zealand, Agent. Class 3. 21st January, 1909.
 No. 456.—Barningham and Co., Limited, of Dunedin, New Zealand, Ironfounders and Engineers. Class 1. 3rd February, 1909.
 Nos. 457, 458, and 459.—Philip J. de la Cour, of Crown Boot Factory, 184 Gloucester Street, Christchurch, New Zealand. Class 10. 21st January, 1909.
 No. 460.—Rupert Tyler, of Hillside, Birkenhead, Auckland, New Zealand, Pattern-maker. Class 1. 30th January, 1909.

Design expired.

THE copyright in the following design has expired:—

No. 203.—Collins Bros. and Co., Limited, Auckland, New Zealand. (Letter-card.)

Applications for Trade Marks filed.

LIST of applications for registration of Trade Marks filed from the 26th January to the 8th February, 1909, inclusive:—

No. 7806.—27th January.—Alcock and Co. Proprietary, Limited, Melbourne, Vic. Class 50.
 No. 7807.—27th January.—The British Imperial Oil Company, Limited, London, Eng. Class 47.
 No. 7808.—27th January.—The British Imperial Oil Company, Limited, London, Eng. Class 47.
 No. 7809.—28th January.—F. G. Swift, trading as Swift and Co., Sydney, N.S.W. Class 2.
 No. 7810.—28th January.—F. G. Swift, trading as Swift and Co., Sydney, N.S.W. Class 47.
 No. 7811.—29th January.—P. Hayman and Co., Wellington, N.Z. Class 10.
 No. 7812.—29th January.—P. Hayman and Co., Wellington, N.Z. Class 10.
 No. 7813.—29th January.—Murray, Roberts, and Co., Wellington, N.Z. Class 2.
 No. 7814.—30th January.—E. J. Gee, Christchurch, N.Z. Class 50.
 No. 7815.—30th January.—E. J. Gee, Christchurch, N.Z. Class 50.
 No. 7816.—1st February.—The Chemical Union, Limited, Ipswich, Eng. Class 2.
 No. 7817.—3rd February.—S. Chatterton, Eilerslie, N.Z. Class 50.
 No. 7818.—3rd February.—J. Nathan and Co., Limited, Wellington, N.Z. Class 45.
 No. 7819.—3rd February.—J. Nathan and Co., Limited, Wellington, N.Z. Class 45.
 No. 7820.—3rd February.—J. Nathan and Co., Limited, Wellington, N.Z. Class 45.
 No. 7821.—3rd February.—J. Nathan and Co., Limited, Wellington, N.Z. Class 45.
 No. 7822.—3rd February.—J. Nathan and Co., Limited, Wellington, N.Z. Class 45.

No. 7823.—4th February.—Old Bleach Linen Company, Limited, Randalstown, Ireland. Class 27.
 No. 7824.—5th February.—H. Wernthal and R. Nordheim (A. Blumenthal), Hamburg, Germany. Class 42.
 No. 7825.—6th February.—The American Axe and Tool Company. Class 12.
 No. 7826.—8th February.—J. A. Boyd and G. Robertson, Petone, N.Z. Class 50.
 No. 7827.—8th February.—A. L. Lee, Christchurch, N.Z. Class 48.

Applications for Registration of Trade Marks.

Patent Office,
 Wellington, 10th February, 1909.

APPLICATIONS for registration of the following Trade Marks have been received. Notice of opposition to the registration of any of these applications may be lodged at this office within two months of the date of this Gazette. Such notice must be in duplicate, and accompanied by a fee of £1.

No. of application: 7364.

Date: 4th June, 1908.

TRADE MARK.

The word

“ZANA.”

NAME.

THE HYGIENIC COMPANY, LIMITED, of 26 Southwark Bridge Road, London, England, Manufacturers.

No. of class: 3.

Description of goods: Carbonic-acid preparations for baths, being medicinal preparations for human use.

No. of application: 7432.

Date: 23rd July, 1908.

TRADE MARK.



The essential particulars of this trade mark are the distinctive label, the device consisting of four crossed arms; and any right to the exclusive use of the added matter is disclaimed.

NAME.

IDEAL CONCRETE MACHINERY COMPANY, a corporation organized under the laws of the State of Indiana, whose principal place of business is at No. 106 Mill Street, South Bend, Indiana, United States of America.

No. of class: 18.

Description of goods: Concrete-mixers, moulds for forming building-blocks, fence-posts, bricks, sills, lintels, pillars, pillar-caps, pillar-bases, tiles, spindles, cylinders, balls, sash, pier-copings, and other articles of concrete, and interchangeable face plates, pallets, cores, liners, and dividing-plates for such moulds.

No. of application: 7455.

Date: 21st July, 1908.

TRADE MARK.

The word

"FIBERKANE."

NAME.

J. WISEMAN AND SONS, LIMITED, of Auckland, in the Dominion of New Zealand.

No. of class: 37.

Description of goods: Travelling trunks, boxes, and other packages made of leather.

No. of application: 7468.

Date: 28th July, 1908.

TRADE MARK



The essential particulars of this trade mark are the distinctive device and the words "The Right Stamp"; and any right to the exclusive use of the added matter is disclaimed.

NAME

PEEK, FREAN, AND Co., LIMITED, of 158 Drummond Road, Bermondsey, London, England, Manufacturers.

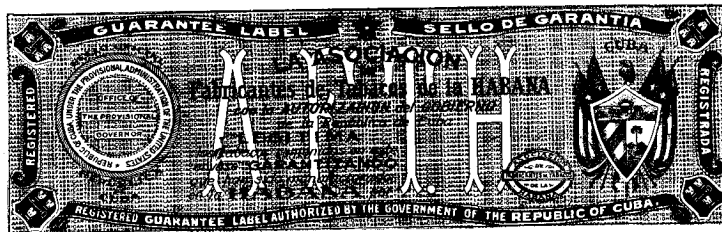
No. of class: 42.

Description of goods: Substances used as food or as ingredients in food.

No. of application: 7518.

Date: 19th August, 1908.

TRADE MARK.



The essential particular of this trade mark is the combination of devices; and applicants disclaim any right to the exclusive use of the added matter, except in so far as it consists of their name.

NAME.

LA ASOCIACION DE FABRICANTES DE TABACOS DE LA HABANA, of Zulueta No. 10, Havana, Cuba.

No. of class: 45.

Description of goods: Cigars.

No. of application: 7558.

Date: 10th September, 1908.

TRADE MARK.
GILES' BOOT PROTECTORS
ARE UNBREAKABLE & WEAR LIKE STEEL.



The essential particular of this trade mark is the distinctive device; and applicants disclaim any right to the exclusive use of the added matter, except their name.

NAME.

JOHN GILES AND SONS, LIMITED, of West of England Malleable Nail Works, Ashton Vale, Bedminster, Bristol, England, Manufacturers.

No. of class: 50.

Description of goods: Boot-protectors of metal, sold separately—that is to say, independently of boots complete.

No. of application: 7571.

Date: 22nd September, 1908.

TRADE MARK



NAME.

THE FINSBURY DISTILLERY COMPANY, trading also as "Bishop and Sons," and as "Stone's," 2-17 Moreland Street, Finsbury, London, England, Wine Makers, Rectifiers, Wine and Spirit Dealers.

No. of class: 42.

Description of goods: Lime-fruit juice and lime-juice cordial.

No. of application: 7626.

Date: 21st October, 1908.

TRADE MARK



The essential particular of this trade mark is the device; and any right to the exclusive use of the added matter is disclaimed.

NAME.

THE "E.C." POWDER COMPANY, LIMITED, of 20 Bucklersbury, in the City of London, England, Gunpowder-manufacturers.

No. of class: 20.

Description of goods: Gunpowder and ammunition (explosives).

No. of application: 7627.

Date: 21st October, 1908.

TRADE MARK.



The essential particular of this trade mark is the device; and any right to the exclusive use of the added matter is disclaimed.

NAME.

THE "E.C." POWDER COMPANY, LIMITED, of 20 Bucklersbury, in the City of London, England, Gunpowder-manufacturers.

No. of class: 20.

Description of goods: Gunpowder and ammunition (explosives).

No. of application: 7702.

Date: 26th November, 1908.

TRADE MARK.



NAME.

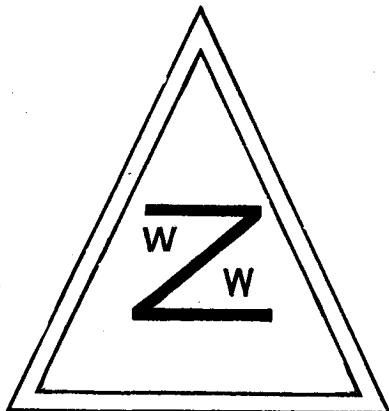
LOHMANN AND Co., of Bremen, Germany, and G.P.O. 1495, Sydney, in the State of New South Wales, Commonwealth of Australia, Importers and Exporters.

No. of class: 42.

Description of goods: Salts for cattle and salt for the table.

No. of application : 7743.
Date : 19th December, 1908.

TRADE MARK



NAME.

WILLIAM WILLS, of Dunedin, in the Dominion of New Zealand, Exporter.

No. of class : 42.
Description of goods : Meat.

No. of application : 7787.
Date : 14th January, 1909.

TRADE MARK.



NAME.

G. A. FINDLAY AND Co., of 14 High Street, Dunedin, in the Dominion of New Zealand, Manufacturers and Warehousemen.

No. of class : 38.
Description of goods : Men's and women's articles of clothing, such as shirts and hats of all kinds, caps, hosiery, and other ready-made clothing, but not including corsets or boots and shoes, or articles of a like description.

No. of application : 7802.
Date : 19th January, 1909.

TRADE MARK.

The word
" FLOATINE."

NAME

THE PARAFFINE PAINT COMPANY, a corporation incorporated under the laws of California, United States of America, of Merchants' Exchange Buildings, San Francisco, California aforesaid, Manufacturers of Cooling and Preserving Materials.

No. of class : 17.
Description of goods : Asphalt.

No. of application : 7803.
Date : 20th January, 1909.

TRADE MARK.

The word
" QUINTONA."

NAME.

MALING AND Co., LIMITED, of Gloucester Street, Christchurch, in the Dominion of New Zealand.

No. of class : 3.
Description of goods : Quinine wine.

No. of application : 7804.
Date : 21st January, 1909.

TRADE MARK.

The word
" INVICTA."

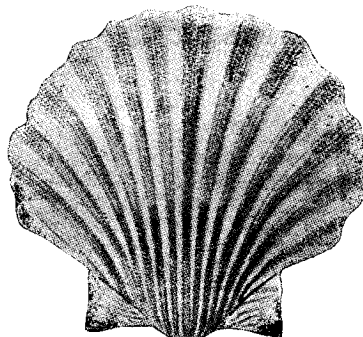
NAME.

HENRY BERRY AND Co., of 116 Lichfield Street, Christchurch, in the Dominion of New Zealand.

No. of class : 42.
Description of goods : Food-preservatives.

No. of application : 7807.
Date : 27th January, 1909.

TRADE MARK.



NAME.

THE BRITISH IMPERIAL OIL COMPANY, LIMITED, whose registered office is at Nos. 24-28 St. Mary Axe, in the City of London, England.

No. of class: 47.

Description of goods: Oils.

TRADE MARK.

The word

“SHELL.”

NAME.

THE BRITISH IMPERIAL OIL COMPANY, LIMITED, whose registered office is at Nos. 24-28 St. Mary Axe, in the City of London, England.

No. of class: 47.

Description of goods: Oils.

TRADE MARK.

The word

“ARKLYTE.”

NAME.

FREDERICK GLENCROSS SWIFT, trading as “Swift and Company,” 32 O’Connell Street, Sydney, in the State of New South Wales, Commonwealth of Australia.

No. of class: 2.

Description of goods: All goods in this class.

[NOTE.—Class 2 is for “Chemical substances used for agricultural, horticultural, veterinary, and sanitary purposes—such as artificial manure, cattle-medicines, deodorisers, vermin-destroyers.”]

TRADE MARK.

The word

“ARKLYTE.”

NAME.

FREDERICK GLENCROSS SWIFT, trading as “Swift and Company,” 32 O’Connell Street, Sydney, in the State of New South Wales, Commonwealth of Australia.

No. of class: 47.

Description of goods: All goods in this class.

[NOTE.—Class 47 is for “Candles; common soap; detergents; illuminating, heating, or lubricating oils; matches; and starch, blue, and other preparations for laundry purposes, such as washing-powders; benzine.”]

No. of application: 7811.

Date: 29th January, 1909.

TRADE MARK.

The word

“KIWI.”

NAME.

P. HAYMAN AND Co., of Victoria Street, Wellington, in the Dominion of New Zealand, Merchants.

No. of class: 10.

Description of goods: Watches and clocks, and parts thereof.

TRADE MARK.

The word

“WEKA.”

NAME.

P. HAYMAN AND Co., of Victoria Street, Wellington, in the Dominion of New Zealand, Merchants.

No. of class: 10.

Description of goods: Watches and clocks, and parts thereof.

TRADE MARK.

The word

“MILLION.”

NAME.

EDMUND JOHN GEE, of 101 Colombo Street, Christchurch, in the Dominion of New Zealand, Blindmaker.

No. of class: 50.

Description of goods: Hood sun-blinds.

TRADE MARK.

The word

“ACME.”

NAME.

EDMUND JOHN GEE, of 101 Colombo Street, Christchurch, in the Dominion of New Zealand, Blindmaker.

No. of class: 50.

Description of goods: Hood sun-blinds for windows.

No. of application : 7820.
Date : 3rd February, 1909.

TRADE MARK.
The words
"ROYAL OAK."

NAME.
JOSEPH NATHAN AND Co., LIMITED, of Wellington, in the Dominion of New Zealand.

No. of class : 45.
Description of goods : Cigarettes, tobaccos, and the like.

No. of application : 7822.
Date : 3rd February, 1909.

TRADE MARK.
The words
"EIGHTEEN CARAT."

NAME.
JOSEPH NATHAN AND Co., LIMITED, of Wellington, in the Dominion of New Zealand.

No. of class : 45.
Description of goods : Cigarettes, tobaccos, and the like.

No. of application : 7823.
Date : 4th February, 1909.

TRADE MARK.
The words
"OLD BLEACH."

NAME.
THE OLD BLEACH LINEN COMPANY, LIMITED, of Randalstown, County Antrim, Ireland, Linen-manufacturers.

No. of class : 27.
Description of goods : Damasks.

J. C. LEWIS,
Registrar.

Trade Marks registered.

LIST of Trade Marks registered from the 28th January to the 9th February, 1909, inclusive :—
No. 6004/7581.—J. F. Drake. Class 42. (*Gazette* No. 91, of the 12th November, 1908.)
No. 6005/7153.—Canterbury Dairy Company. Class 42. (*Gazette* No. 13, of the 20th February, 1908.)
No. 6006/7152.—G. Milne. Class 22. (*Gazette* No. 10, of the 6th February, 1908.)
No. 6007/7156.—G. Milne. Class 50. (*Gazette* No. 10, of the 6th February, 1908.)
No. 6008/7595.—R. P. Chatfield. Class 3. (*Gazette* No. 91, of the 12th November, 1908.)
No. 6009/7611.—R. P. Chatfield. Class 3. (*Gazette* No. 91, of the 12th November, 1908.)
No. 6010/7666.—Liberty and Co. (Cymric), Limited. Class 14. (*Gazette* No. 94, of the 26th November, 1908.)
No. 6011/7667.—Liberty and Co., Limited. Class 24. (*Gazette* No. 94, of the 26th November, 1908.)

No. 6012/7668.—Liberty and Co., Limited. Class 31. (*Gazette* No. 94, of the 26th November, 1908.)
No. 6013/7669.—Liberty and Co. (Cymric), Limited. Class 14. (*Gazette* No. 94, of the 26th November, 1908.)
No. 6014/7453.—Wiggins, Teape, and Co., Limited. Class 39. (*Gazette* No. 61, of the 6th August, 1908.)

Subsequent Proprietors of Trade Marks registered.

[NOTE.—The name of the former proprietor is given in brackets; the date is that of registration.]

NOs. 6984/5521, 6985/5522, 6986/5523, 6987/5524, 6988/5525, 6989/5526, 6990/5527, 6991/5528.—Jonas and Colver, Limited, of Continental Steel Works and Novo Steel Works, Sheffield, England, Manufacturers. (Jonas and Colver, Limited.) 4th February, 1909.

Trade Mark Renewal Fees paid.

FEES paid for the renewal of the undermentioned Trade Marks for fourteen years from the date first mentioned :—

Nos. 1373/1096 and 1374/1097.—30th January, 1909.—Juan Cueto Y. Hno, of Habana, Cuba, Cigar-manufacturers. Class 45. 27th January, 1909.

No. 1342/1084.—19th December, 1908.—Sharland and Co., Limited, of Auckland and Wellington, New Zealand, Wholesale Druggists. Class 42. 8th February, 1909.

Nos. 1385/1285 and 1386/1286.—8th February, 1909.—James Paul, of New Plymouth, New Zealand. Classes 43 and 44. 8th February, 1909.

No. 1390/1074.—20th February, 1909.—The Auckland Co-operative Boot and Shoe Company, Limited, of Auckland, New Zealand. Class 38. 28th January, 1909.

Applications for Trade Marks abandoned or refused.

LIST of applications for registration of Trade Marks abandoned or refused from the 13th January to the 10th February, 1909, inclusive :—

No. 6975.—17th October, 1907.—United Asbestos Company, Limited, of London, England. Class 50.

No. 7142.—21st January, 1908.—T. H. Garland and Son, of Auckland, New Zealand. Class 42.

No. 7148.—27th January, 1908.—W. Godfrey, of Wellington, New Zealand. Class 41.

No. 7332.—20th May, 1908.—C. J. Carroll, G. R. Hall, and A. Griffith, trading as The Australian Milk Ferment Proprietary, of Sydney, New South Wales. Class 42.

Application for Trade Mark withdrawn.

THE following application for trade mark has been withdrawn :—

No. 7610.—W. S. Laurie and Co. (Advertised in Supplement to *New Zealand Gazette*, No. 85, of the 29th October, 1908.)

Trade Mark Registration cancelled.

THE entry on the Register in respect of the following Trade Mark has been cancelled :—

No. 6422/5519.—J. G. Monnet and Cie (application and registration advertised respectively in Supplements to *New Zealand Gazette*, No. 13, of the 7th February, 1907, and No. 13, of the 20th February, 1908).

Trade Marks removed from the Register.

TRADE Marks removed from the Register owing to the non-payment of the renewal fee, from the 26th January to the 8th February, 1909, inclusive :—

No. 1290/1172.—29th October, 1894.—G. J. Lyell ("McCraig and Lyell"), of Liverpool, England. Class 37.

No. 1291/982.—2nd November, 1894.—A. Burt ("A. and T. Burt"), Dunedin, New Zealand. Class 7.

No. 1301/1005.—8th November, 1894.—The Waiongona Co-operative Dairy Factory Company, Limited, of Waiongona, New Zealand. Class 42.

Alphabetical List of Applicants for Letters Patent for Quarter ending 31st December, 1908.

THIS list includes also (1) applications lodged prior to but gazetted during the quarter, (2) complete specifications following provisional specifications accepted or gazetted during the quarter. Where the number and date of the Gazette are omitted, the application has not yet been accepted.

* Denotes a provisional specification. † Denotes a prior date under section 98 of "The Patents, Designs, and Trade Marks Act, 1908."

Name, Address, and Invention.	Application.		Gazette.	
	No.	Date.	No.	Date.
Ackley, G. S., Buffalo, U.S.A. Brake-chain winding mechanism ..	25248	17 Nov. ..	4	14 Jan., 1909.
Adams, H. H., Lake Takapuna, N.Z. Propeller ..	24946	17 Sept. ..	91	12 Nov.*
Adams, R. N., Dunedin, N.Z. Window-fastener ..	25186	4 Nov. ..	105	23 Dec.*
Adams, R. N., Dunedin, N.Z. Door-holder ..	25275	25 Nov. ..	105	23 Dec.*
Adams, R. N., Dunedin, N.Z. Tent-peg ..	25361	14 Dec. ..	4	14 Jan., 1909.*
Alexander, W., Wellington, N.Z. (See J. D. McLaurin, No. 25194.)				
Alkemade, P. V. L., Melbourne, Vic. Cleansing drinking-glasses ..	24820	20 Aug. ..	100	10 Dec.
Allan, A. T. W., and another, Henderson, N.Z. Roller-mill for tailings, &c. &c. †	25370	18 Dec. ..	4	14 Jan., 1909.
Allan, C. F. F., Sydney, N.S.W. Insulated-cabinet oven ..	24877	2 Sept. ..	94	26 Nov.
Allan, F. M., Dunedin, N.Z. Clinker for Portland cement ..	24606	1 July ..	100	10 Dec.
Alley, C. H., and another, Farnon, N.Z. Nail-punch ..	25330	9 Dec. ..	4	14 Jan., 1909.*
Alman-Marchant, C. W., and another, Centre Bush, N.Z. Umbrella ..	25367	21 Dec. ..	4	14 Jan., 1909.*
Andersen, S. P., and another, Auckland, N.Z. Teat-cup ..	25184	6 Nov. ..	100	10 Dec.*
Anderson, J., and others, Wellington, N.Z. Board-cramp ..	23923	20 Jan. ..	105	23 Dec.
Anne of Lowenstein-Wertheim, London, Eng. Self-levelling bunk, &c., for ships	25174	4 Nov. ..	105	23 Dec.
Ancombe, W. H., Auckland, N.Z. Wire-splice shield ..	25161	2 Nov. ..	94	26 Nov.*
Appleby, W. H., Bloxwich, Eng. Rolling-stock coupling ..	24359	6 May ..	94	26 Nov.
Arbuckle, A. J., and another, Belgravia, Transvaal. Rotary filtering apparatus	25128	26 Oct. ..	100	10 Dec.
Arbuckle, A. J., and another, Belgravia, Transvaal. Filtering apparatus	25180	4 Nov. ..	105	23 Dec.
Ashton, O., Lawrence, U.S.A. (See United Shoe Machinery Company, No. 25103.)				
Aston, V. S., Gisborne, N.Z. Fibre-bleaching ..	24048	21 Feb. ..	91	26 Nov.
Aston, W., Footscray, Vic. Fuel-economiser and spark-arrester ..	24407	19 May ..	100	10 Dec.
Auckland Sewing-machine Company, Limited, Auckland, N.Z. Sewing-machine. (W. T. Auckram)	25115	22 Oct. ..	100	10 Dec.
Auckram, W. T., Otahuhu, N.Z. (See Auckland Sewing-machine Company, Limited, No. 25115.)				
Austin, E. C., Eastbrook, N.Z. Foresight for spirit-level ..	25193	6 Nov. ..	94	26 Nov.*
Auto-Hydraulic, Limited, London, Eng. Liquid-container and valve mechanism for water-elevator. (A. E. Hodder)	25230	18 Nov. ..	4	14 Jan., 1909.
Baechler, C. A., Zurich, Switzerland. Manufacture of casein ..	25331	20 March† ..	7	28 Jan., 1909.
Bailey, J. F., Dunedin, N.Z. Electric developer ..	25013	1 Oct. ..	91	12 Nov.*
Bailey, W. B., and another, Bluff, N.Z. Non-corrosive ink ..	25159	31 Oct. ..	94	26 Nov.*
Baird, J., Hamilton, N.Z. Earth-closet ..	25044	7 Oct. ..	85	29 Oct.*
Baker, R. P., and others, Mania, N.Z. Liquid, &c., measuring apparatus	25319	9 Dec. ..	7	28 Jan., 1909.
Ballinger, T., Wellington, N.Z. (See T. Ballinger and Co., Limited, No. 24904.)				
Ballinger, T., and Co., Limited, Wellington, N.Z. Cinder-sifter. (T. Ballinger)	24904	10 Sept. ..	94	26 Nov.
Bancroft, J. S., and another, Philadelphia, U.S.A. (See Monotype Machine (Colonial Patents) Syndicate, Limited, No. 25145.)				
Bancroft, W., Philadelphia, U.S.A. (See Monotype Machine (Colonial Patents) Syndicate), Limited, No. 25368.)				
Barclay, W. R., and another, Leicester, Eng. (See United Shoe Machinery Company, No. 23899.)				
Bates, A., Leicester, Eng. (See United Shoe Machinery Company, Nos. 23811, 23975, 25104, 25203, 25200, 25315, 25318.)				
Bates, A., and another, Leicester, Eng. (See United Shoe Machinery Company, No. 23899.)				
Bates, A., and others, Leicester, Eng. (See United Shoe Machinery Company, No. 25305.)				
Beamish, W., Hastings, N.Z. Animal-trap ..	25287	28 Nov. ..	105	23 Dec.*
Beamish, W., Hastings, N.Z. Flushing-cistern ..	25288	28 Nov. ..	4	14 Jan., 1909.*
Beilby, C. S., Murchison, N.Z. Preventing racing of propeller ..	25221	6 Nov. ..	105	23 Dec.
Bennett, G. A., and another, Goodmayes, Eng. Tire ..	25369	21 Dec. ..		
Bentley, J. G., Dunedin, N.Z. Window-sash-lock adjuster ..	25241	16 Nov. ..	105	23 Dec.*
Bertrand, F. E., Swampscott, U.S.A. (See United Shoe Machinery Company, No. 25317.)				
Billington, J. E., and another, Broadheath, Eng. (See J. T. Hunter, No. 25229.)				
Bingham, E., Masterton, N.Z. Cycle-horn, &c., actuator ..	25059	13 Oct. ..	85	29 Oct.*
Blackham, W. H., Melbourne, Vic. Ejector-governor ..	25310	9 Dec. ..	7	28 Jan., 1909.
Blair, M., sen., and another, Wellington, N.Z. Alarm for fire-damp, &c.	25294	3 Dec. ..	4	14 Jan., 1909.*
Blair, W. J., and another, Wellington, N.Z. Alarm for fire-damp, &c.	25294	3 Dec. ..	4	14 Jan., 1909.*
Blake, J., Otakeho, N.Z. Milking-machine teat-cup ..	24034	21 Feb. ..	105	23 Dec.
Blum, J., and another, Brussels, Belgium. Artificial rubber manufacture	25231	18 Nov. ..	4	14 Jan., 1909.
Bodell, W. B., Wellington, N.Z. Steam-vent for washing-boiler ..	24408	19 May ..	75	1 Oct.

ALPHABETICAL LIST OF APPLICANTS FOR LETTERS PATENT—continued.

Name, Address, and Invention.	Application.		Gazette.	
	No.	Date.	No.	Date.
Bollard, R. F., and another, Taupiri, N.Z. Saw-fence	25045	7 Oct. ..	85	29 Oct.*
Bond, A. J., Auckland, N.Z. Pedal-driving gear for cycles ..	25366	21 Dec.
Borlase, W., Dunedin, N.Z. Motor-cycle driving-gear	25242	16 Nov. ..	100	10 Dec.*
Bouton, G., and another, Puteaux, France. (See De Dion Bouton (1907), Limited, Nos. 25284, 25397.)				
Bowles, G. B., London, Eng. Brake apparatus	25290	13 Dec., 1907†	7	28 Jan., 1909.
Boyd, P., Dunedin, N.Z. Seed-sower	25274	25 Nov. ..	4	14 Jan., 1909.
Boys, C. V., and another, London, Eng. Producing reciprocating motion	25312	11 Dec., 1907†
Brardt, P., St. Petersburg, Russia. Hydraulic and pneumatic machine	25198	11 Nov.
Branson, C. B. M., Dunedin, N.Z. Saddle-cover	25089	17 Oct. ..	85	29 Oct.*
Bray, W. C., Adelaide, S. Aust. Cart-note case	25120	23 Oct. ..	100	10 Dec.
Brenan, J., Paeroa, N.Z. Vehicle under-carriage	25019	6 Oct. ..	94	26 Nov.*
Briggs, G. L., and another, Taupiri, N.Z. Saw-fence	25045	7 Oct. ..	85	29 Oct.*
Broadbent, H., Dunedin, N.Z. Folding-chair	25342	14 Dec.
Brock, M., Boston, U.S.A. (See United Shoe Machinery Company, No. 25204.)				
Brooks, D. M., Wellington, N.Z. Tide-operated air-compressor ..	25276	27 Nov. ..	105	23 Dec.*
Brown, F. C., Waihi, N.Z. Tool-heating apparatus	25086	16 Oct. ..	94	26 Nov.
Brown, F. J., and another, Eltham, N.Z. Pipe-closing valve ..	25251	21 Nov. ..	100	10 Dec.*
Brown, F. J., and another, Eltham, N.Z. Hose-coupling	25252	21 Nov. ..	100	10 Dec.*
Brown, J. A., Dunedin, N.Z. Cock and tap	25335	8 Dec.
Brown, J. E. C., Dunedin, N.Z. Explosive engine	25046	9 Oct. ..	85	29 Oct.*
Brown. (See Chinnery-Brown.)				
Browne, P., Waikino, N.Z. Centrifugal thickener and separator ..	23829	16 Dec. 1907..	100	10 Dec.
Brownlee, T. W., and another, Brisbane, Q. Totalisator	25090	17 Oct. ..	100	10 Dec.
Bruce, H., Whatawata, N.Z. Portable drill	25400	30 Dec. ..	7	28 Jan., 1909.*
Buckland, A. W., and another, Hawera, N.Z. Asphalt-manufacture..	25017	5 Oct.
Burges, A., and others, Palmerston North, N.Z. Flax-treating apparatus	25094	20 Oct.
Burges, A., and others, Palmerston North, N.Z. Flax-scutchers ..	25095	20 Oct.
Burges, A., and others, Palmerston North, N.Z. Flax-treating apparatus	25096	20 Oct.
Burke, H., and another, Eltham, N.Z. Pipe-closing valve	25251	21 Nov. ..	100	10 Dec.*
Burke, H., and another, Eltham, N.Z. Hose-coupling	25252	21 Nov. ..	100	10 Dec.*
Burns, M., Tokatoka, N.Z. Bale-grip	25088	15 Oct. ..	85	29 Oct.*
Burrell, W., Melbourne, Vic. Rabbit-crate	25099	19 Oct. ..	94	26 Nov.*
Butler, W. J., Auckland, N.Z. Sewing-machine	25183	31 Oct. ..	100	10 Dec.*
Butterworth, H., Auckland, N.Z. Flooring and road making composition	25217	10 Nov. ..	4	14 Jan., 1909.*
Cahill, T. J., Auckland, N.Z. Brake-actuating means	23832	16 Dec., 1907	85	29 Oct.
Cairns, R., Auckland, N.Z. Electrical plug	23911	11 Jan. ..	105	23 Dec.
Cameron, H. F., Waikino, N.Z. Water-closet pan	25385	24 Dec. ..	4	14 Jan., 1909.*
Cannell, A., Auckland, N.Z. Revolving show-stand	25377	21 Dec. ..	4	14 Jan., 1909.*
Carpenter, A. W., and another, London, Eng. Artificial-rubber manufacture	25231	18 Nov. ..	4	14 Jan., 1909.
Carr, A. I., Te Karaka, N.Z. Fencing-batten	24862	28 Aug. ..	100	10 Dec.
Carr, W., and another, Alexandra South, N.Z. Power-transmitter for current-turbine	25138	26 Oct. ..	94	26 Nov.*
Carr, W., and another, Alexandra South, N.Z. Current-motor ..	25333	8 Dec. ..	7	28 Jan., 1909.
Castle, F., Auckland, N.Z. Fire-alarm	24624	6 July ..	91	12 Nov.
Castle, F., Auckland, N.Z. Fire-alarm	25058	13 Oct. ..	91	12 Nov.*
Cavanagh, J., jun., Boston, U.S.A. (See United Shoe Machinery Company, No. 23915.)				
Cederman, A., and another, Hokitika, N.Z. Steam-turbine	24974	25 Sept., ..	91	12 Nov.
Chapman, C. C., and another, South Bend, U.S.A. (See E. Phillips, No. 25178.)				
Chapman, H. B., Sydney, N.S.W. Basket-carrier	23720	12 Nov., 1907	94	26 Nov.
Charles, I., Dunedin, N.Z. (See J. T. Hunter, No. 23621.)				
Chinnery-Brown, D. A., Auckland, N.Z. Mechanical toy	25280	1 Dec.
Church, E. S., Dayton, U.S.A. (See National Cash Register Company, No. 25117.)				
Clark, E. L., Auckland, N.Z. Suction and force pump	25219	10 Nov. ..	100	10 Dec.*
Clark, J. S., and another, Whitford, N.Z. Milk-weigher	25182	2 Nov. ..	94	26 Nov.*
Clayton, M., and another, Buckland, N.Z. Cooler and aerator ..	25260	24 Nov.
Clemens Horst, E., Company, San Francisco, U.S.A. Hop-picker. (E. C. Horst and J. Ebrhorn.)	23717	14 Nov., 1907	91	12 Nov.
Clements, A. G., Rongotea, N.Z. Billiard-cue tip	25324	10 Dec.
Clennell, F., and another, Wellington, N.Z. Ship's propeller ..	24952	21 Sept. ..	100	10 Dec.
Clow, T. R., Papatoitoi, N.Z. Windmill for raising water	25218	10 Nov. ..	100	10 Dec.*
Cockerill, H., Bega, N.S.W. Draught-preventer and door-check ..	24563	25 June ..	75	1 Oct.
Coleman, E. W., Twickenham, Eng. Driving-gear	25133	28 Oct. ..	94	26 Nov.*
Collett, A. W., Dannevirke, N.Z. Friction-winch	25036	8 Oct. ..	85	29 Oct.
Collins, J. M., and others, Palmerston North, N.Z. Flax-treating apparatus	25094	20 Oct.
Collins, J. M., and others, Palmerston North, N.Z. Flax-scutchers ..	25095	20 Oct.
Collins, J. M., and others, Palmerston North, N.Z. Flax-treating apparatus	25096	20 Oct.
Cooper, F., Christchurch, N.Z. Grain-drill	24938	16 Sept. ..	91	12 Nov.
Cooper, I. H., and another, Ballarat, Vic. Elevator and conveyor ..	25173	4 Nov. ..	7	28 Jan., 1909
Cornu. (See Le Cornu.)				

ALPHABETICAL LIST OF APPLICANTS FOR LETTERS PATENT—*continued.*

Name, Address, and Invention.	Application.		Gazette.	
	No.	Date.	No.	Date.
Corry, A. W. B., and another, Napier, N.Z. Nail-punch	25330	9 Dec. ..	4	14 Jan., 1909.*
Couteur. (See Le Couteur.)				
Coventry, J. B., Wellington, N.Z. Kettle	25239	19 Nov.
Crocker, S. F., Cawnpore, British India. Rifle-carrier	24555	8 July, 1907†	75	1 Oct. ..
Croft, H., Auckland, N.Z. Roundabout	25072	13 Oct. ..	85	29 Oct.*
Cross, G. E., Tuapeka, N.Z. Current and tide motor	25322	9 Dec. ..	4	14 Jan., 1909.*
Cross, G. E., Tuapeka, N.Z. Branding apparatus	25357	15 Dec. ..	4	14 Jan., 1909.*
Crosse, A. F., Frankfort, Transvaal. Extraction of gold and silver ..	24129	12 March ..	100	10 Dec. ..
Cruickshank, C. M., and another, Timaru, N.Z. Bathroom, &c., steam-preventer	25376	23 Dec.
Cullimore, F. W., Christchurch, N.Z. Billiard-table	23875	31 Dec., 1907	105	23 Dec. ..
Dahl, E., Palmerston North, N.Z. Cot	25087	19 Oct. ..	85	29 Oct.*
Dahlgren, G. S., Hawthorn, Vic. Cream-separator	25347	16 Dec. ..	4	14 Jan., 1909.*
Daily, J. J., Christchurch, N.Z. Pneumatic saddle-cover	25257	19 Nov. ..	100	10 Dec.*
Dalton, J. H., and another, Auckland, N.Z. Bottle-stopper	25043	9 Oct.
Darling, F. E., Melbourne, Vic. Silver-coating fluid	25381	24 Dec.
Davidson, J., and another, Ottawa, Canada. Container-box, &c. ..	25253	23 Nov. ..	4	14 Jan., 1909.
Davies, A., Christchurch, N.Z. Water-closet seat	25163	2 Nov.
De Dion, A., and another, Puteaux, France. (See De Dion Bouton (1907), Limited, Nos. 25284, 25397.)				
De Dion Bouton (1907), Limited, London, Eng. Fan for motor-vehicle. (A. De Dion and G. Bouton.)	25284	2 Dec. ..	4	14 Jan., 1909.
De Dion Bouton (1907), Limited, London, Eng. Pressure-bearing for bevel gear. (A. De Dion and G. Bouton)	25397	30 Dec. ..	12	11 Feb., 1909.
De Irabien, J., Buenos Aires, Argentine. Air-current turbine	25105	21 Oct. ..	105	23 Dec. ..
Deperdussin, A., Paris, France. Optical toy	25232	18 Nov. ..	4	14 Jan., 1909.
De Peyrecave, L. F. M., and others, London, Eng. Rotary motor and pump	25197	11 Nov. ..	105	23 Dec. ..
Diack, W., and another, Centre Bush, N.Z. Umbrella	25367	21 Dec. ..	4	14 Jan., 1909.*
Dike, D. W., Meeniyar, Vic. Knee-rest, &c., for milking-bucket ..	24025	17 Feb. ..	94	26 Nov. ..
Dion. (See De Dion.)				
Dixon, J., and another, Prahan, Vic. Drinking-utensil washing apparatus	23722	13 Nov., 1907	79	15 Oct. ..
Dombraïn, E. F., and another, Christchurch, N.Z. Heat-and-moisture tester for baled goods	25157	27 Oct. ..	105	23 Dec. ..
Dorman, C. H., and another, London, Eng. Process for producing tungsten combinations	25135	30 Oct., 1907†
Dovey, H. E., and another, Wellington, N.Z. Finger-protecting sewing-shield	25125	26 Oct.
Dow, P., Dunedin, N.Z. Distance-gauge for bowls	25155	28 Oct. ..	94	26 Nov.*
Dowden, R. R., and another, Whitford, N.Z. Milk-weigher	25182	2 Nov. ..	94	26 Nov.*
Downey, W. J. C., Perth, W.A. Wind-gauge and vernier-elevator ..	24578	10 July, 1907†	91	12 Nov. ..
Drummond, T., Dunedin, N.Z. Fencing-wire fastener	25303	3 Dec. ..	7	28 Jan., 1909.*
Dugins, W. F., Kew, Vic. Fastener for boots, &c.	25379	23 Dec. ..	4	14 Jan., 1909.*
Duncan, P. and D., Limited, Christchurch, N.Z. Seed-discharge for agricultural drills. (J. Keir.)	25266	24 Nov.
Dunn, R. R., and another, Eastbrook, N.Z. Brick-making composition	25067	10 Oct. ..	4	14 Jan., 1909.*
Eccleston, C. W., Los Angeles, U.S.A. Ore-concentrator	25081	15 Oct.
Edgar, J., and another, Auckland, N.Z. Tramcar, &c., life-saving catcher	24779	7 Aug. ..	105	23 Dec. ..
Edlin, T. W., Waimate, N.Z. Non-refillable bottle	25052	10 Oct.
Edmond, A., and another, Dunedin, N.Z. Pin	25223	13 Nov. ..	7	28 Jan., 1909.
Edwards, T., Ballarat, Vic. Rabble for ore-roasting furnace	25101	21 Oct. ..	94	26 Nov. ..
Ehrhorn, J., and another, Perkins, U.S.A. (See E. Clemens Horst Company, No. 23717.)				
Electric Railway-improvement Company, Cleveland, U.S.A. (See W. E. Hughes, Nos. 24271, 24272, 24273.)				
Elliott, O., and another, Auckland, N.Z. Billiard-table	25098	19 Oct. ..	91	12 Nov.*
Elvins, F., and another, New Plymouth, N.Z. Metal-saving mat ..	25152	30 Oct. ..	91	12 Nov.*
English, J. C., Camden, U.S.A. (See P. M. Newton, 25234.)				
Erhardt, C. F. M. C., London, Eng. Cuff-protector	24142	13 March ..	85	29 Oct. ..
Evans, T., and Son (Poplar), Limited, and others, London, Eng. Rotary motor and pump	25197	11 Nov. ..	105	23 Dec. ..
Ewing, S., Burwood, N.S.W. Fire-extinguisher, &c.	25382	24 Dec. ..	7	28 Jan., 1909.
Falvey, T., Wellington, N.Z. Temperature-detector	23623	19 Oct., 1907	79	15 Oct. ..
Ferguson, A., Wellington, N.Z. Waste-paper basket	25116	22 Oct. ..	100	10 Dec.*
Ferguson, J. S., and another, Ottawa, Canada. Container-box, &c. ..	25253	23 Nov. ..	4	14 Jan., 1909.
Finr, G., Khandallah, N.Z. Letter of advice and account form	24997	1 Oct.
Fischer, J., Moonee Ponds, Vic. Bale-fastener	25399	30 Dec.
Fletcher, H. T., Auckland, N.Z. Rotary canvas buddle	25389	29 Dec. ..	4	14 Jan., 1909.*
Fletcher, W. H., Eikenhof, Transvaal. Crushing-mill	24230	8 April ..	75	1 Oct. ..
Fonseca, R. A., Timaru, N.Z. Window-sash	24114	10 March ..	105	23 Dec.*
Fonseca, R. A., Timaru, N.Z. Cycle mud-guard	25278	27 Nov. ..	105	23 Dec.*
Ford, J., Dunedin, N.Z. Candle-saver	25053	10 Oct. ..	85	29 Oct.*
Forrest, H. C., Randwick, N.S.W. Bottle-washing-machine rack ..	25313	9 Dec. ..	7	28 Jan., 1909.
Forsyth, J., and another, Wellington, N.Z. Household-cooler	25364	21 Dec. ..	4	14 Jan., 1909.*
Fowles, W., Pietermaritzburg, Natal. Predigested-food production ..	25026	7 Oct. ..	91	12 Nov. ..
Fox, H. A., Wellington, N.Z. Enclosure-indicator for mail-matter ..	25181	5 Nov. ..	94	26 Nov.*
Franklin, H. C., Westport, N.Z. Bicycle-pump tube	25365	21 Dec.

ALPHABETICAL LIST OF APPLICANTS FOR LETTERS PATENT—continued.

Name, Address, and Invention.	Application.		Gazette.	
	No.	Date.	No.	Date.
Fraser, D., Petone, N.Z. Revolving jig-saw	25326	11 Dec. ..	4	14 Jan., 1909.*
Free, R. H., and others, Wellington, N.Z. Board-cramp	23923	20 Jan. ..	105	23 Dec.
Fryer, P. W., Prebbleton, N.Z. Straw-elevator	25351	16 Dec. ..	4	14 Jan., 1909.*
Gager, T., Hikurangi, N.Z. Kerosene-tin, &c.	25009	2 Oct. ..	85	29 Oct.*
Gale, W., and another, Wangaratta, Vic. Securing chaff-cutting knives	23613	17 Oct., 1907	79	15 Oct.
Gallagher, R. W., Los Angeles, U.S.A. Statement-delivery apparatus for gas-meters	25255	23 Nov. ..	4	14 Jan., 1909.
Gare, T., New Brighton, Eng. Manufacture of articles from waste rubber	25078	15 Oct. ..	91	12 Nov.
Garner-Jones, D., Auckland, N.Z. Folding-chair	23926	21 Jan. ..	105	23 Dec.
Gentles, H., and another, Auckland, N.Z. Bottle-stopper, &c. .. .	25043	9 Oct.
Gerber. (See Waechter-Gerber.)				
Gilberd, D., and another, Henderson, N.Z. Friction-clutch	25337	17 Dec. ..	7	28 Jan., 1909.
Gilberd, G., and another, Henderson, N.Z. Friction-clutch	25337	17 Dec. ..	7	28 Jan., 1909.
Gilkes, R., Wellington, N.Z. Protecting shop-fronts from dogs	25029	7 Oct. ..	85	29 Oct.*
Given, T. G., Dunedin, N.Z. Tent-peg	25344	11 Dec.
Goetz, A., and another, Grand Rapids, U.S.A. Pasteurisation-process	25247	17 Nov. ..	4	14 Jan., 1909.
Goodwin, G., Wellington, N.Z. Rein-holder and wheel-lock	25355	18 Dec.
Gouldbourn, J., and others, Leicester, Eng. (See United Shoe Machinery Company, Nos. 25305, 23976.)				
Grant, J. H., Wodonga, Vic. Rabbit-burrow fumigator	25030	7 Oct.
Gray, J., Dunedin, N.Z. Wheel-lubricator	25066	9 Oct. ..	85	29 Oct.*
Gray, J., Dunedin, N.Z. Wheel-lubricator	25126	23 Oct. ..	91	12 Nov.*
Gray, J., Dunedin, N.Z. Spring-tine cultivator	25185	4 Nov. ..	94	26 Nov.*
Gray, R., Adelaide, S. Aust. Billiard-cushion	25267	25 Nov. ..	7	28 Jan., 1909.
Green, W. J., London, Eng. Branding-machine	25286	2 Dec. ..	4	14 Jan., 1909.
Greer, F. S., Sydney, N.S.W. Fumigator, &c.	24712	9 April†	94	26 Nov.
Gribble, M., Wellington, N.Z. Window-sash lock, &c.	23989	10 Feb. ..	105	23 Dec.
Griffith, G. W., and another, Manildra, N.S.W. Ploughshare	25291	3 Dec. ..	7	28 Jan., 1909.
Grimmett, E. E. F., Nelson, N.Z. Tire-pump	25166	2 Nov. ..	91	12 Nov.*
Grove, J. B., Wellington, N.Z. Pneumatic-tire tread-holder	23912	14 Jan. ..	91	12 Nov.
Gulleford, R. H., and another, Christchurch, N.Z. Flax-bleaching process	25027	7 Oct.
Gunther, L., and another, Wangaratta, Vic. Securing chaff-cutter knives	23613	17 Oct., 1907..	79	15 Oct.
Hadecke, A. F., Rangiora, N.Z. Suction dressing apparatus	23872	30 Dec., 1907	100	10 Dec.
Hadlee, G., and another, Timaru, N.Z. Bathroom, &c., steam-preventer	25376	23 Dec.
Hall, T., and another, New Plymouth, N.Z. Metal-saving mat	25152	30 Oct. ..	91	12 Nov.*
Hampton, W. H., and others, Wellington, N.Z. Board-cramp	23923	20 Jan. ..	105	23 Dec.
Hancock, J. C., and another, Perth, W.A. Rubber stud and heel-plate for boots, &c.	25235	18 Nov.
Harbottle, J. G., and another, Christchurch, N.Z. Flax-bleaching process	25027	7 Oct.
Hargreaves, J., Auckland, N.Z. Ventilator	24076	28 Feb. ..	100	10 Dec.
Hargreaves, J., Auckland, N.Z. Ventilator	24178	23 March ..	94	26 Nov.
Harrison, F., and another, London, Eng. Process for producing tungsten combinations	25135	30 Oct., 1907†
Harriss, J. A., New York, U.S.A. Mail receiving and delivering apparatus. (J. S. Lanier)	25112	20 Oct.
Harvey, W. J., Taihape, N.Z. Automatic air-retainer shield	25350	15 Dec. ..	7	28 Jan., 1909.*
Haughey, S. F., Cheviot, N.Z. Tire-inflator	25383	24 Dec. ..	4	14 Jan., 1909.*
Hawkins, T., London, Eng. Slop-pail, &c.	25372	24 Dec., 1907†	7	28 Jan., 1909.
Hayter, W. J. F., Taumarunui, N.Z. Brick-manufacture	25279	1 Dec. ..	105	23 Dec.*
Heine, J., Redfern, N.S.W. Die for forming sheet-metal ridge-capping	25142	29 Oct. ..	100	10 Dec.
Hendriksen, D. P., Wellington, N.Z. Seat attachment to go-cart	25363	21 Dec. ..	4	14 Jan., 1909.*
Hennah, W. H., and another, Wellington, N.Z. Recording deviations in ships' course, and sounding alarm	25008	2 Oct. ..	79	15 Oct.*
Henry, M., Waitoa, N.Z. Turnip-cutter	25015	5 Oct. ..	85	29 Oct.*
Hercus, J., and another, Dunedin, N.Z. Pin	25223	13 Nov. ..	7	28 Jan., 1909.
Hercus, J., and others, Dunedin, N.Z. Lock	24999	29 Sept. ..	94	26 Nov.
Herrick, A. B., Ridgewood, U.S.A. (See W. E. Hughes, Nos. 24271, 24272, 24273.)				
Herrick, M., Weraroa, N.Z. Milk-cooler	24998	1 Oct. ..	85	29 Oct.
Hesketh, H. H., Auckland, N.Z. Time-gas cut-off with electric alarm	25338	12 Dec. ..	12	11 Feb., 1909.
Heskett, T. J., and another, Brunswick, Vic. Ore-treatment	24196	31 March ..	75	1 Oct.
Hilford, J., and another, Auckland, N.Z. Driving belt and pulley	25336	9 Dec. ..	12	11 Feb., 1909.
Hitchcock, F., and another, Auckland, N.Z. Cooler and aerator	25260	24 Nov.
Hitchen, W. T., Gular, N.S.W. Gas-generator and rabbit-fumigator	25237	19 Nov. ..	100	10 Dec.*
Hobbs, W., Wellington, N.Z. Dust-collector for tramways, &c.	25263	25 Nov. ..	100	10 Dec.*
Hodder, A. E., London, Eng. (See Auto-Hydraulic, Limited, No. 25230.)				
Hodge, C. E., and another, Auckland, N.Z. Teat-cup	25184	6 Nov. ..	100	10 Dec.*
Hodges, J. F. C., and another, Orange, N.S.W. Ploughshare	25291	3 Dec. ..	7	28 Jan., 1909.
Homan, W. M., Bethlehem, Orange River Colony. Sundial	25270	23 Nov. ..	4	14 Jan., 1909.
Hommel, W., and another, London, Eng. (See Metals Extraction Corporation, Limited, No. 25296.)				
Hopkirk, J., and another, Hawera, N.Z. Milk-agitating apparatus	25393	29 Dec. ..	4	14 Jan., 1909.*
Horst. (See Clemens Horst.)				
Horst, E. C., and another, San Francisco, U.S.A. (See E. Clemens Horst Company, No. 23717.)				

ALPHABETICAL LIST OF APPLICANTS FOR LETTERS PATENT—*continued.*

Name, Address, and Invention.	Application.		Gazette.	
	No.	Date.	No.	Date.
Hughes, E. B., Wanganui, N.Z. See-saw	25359	17 Dec. ..	7	28 Jan., 1909.*
Hughes, P. R., Geelong, Vic. Bale-fastener	25102	21 Oct. ..	94	26 Nov.
Hughes, W. E., Wellington, N.Z. Bonding rails. (Electric Railway Improvement Company—A. B. Herrick)	24271	14 April ..	79	15 Oct.
Hughes, W. E., Wellington, N.Z. Apparatus for bonding rails. (Electric Railway Improvement Company—A. B. Herrick)	24272	14 April ..	79	15 Oct.
Hughes, W. E., Wellington, N.Z. Electrodes for welding, &c. (Electric Railway Improvement Company—A. B. Herrick)	24273	14 April ..	79	15 Oct.
Hunter, J. T., Wellington, N.Z. Typographical composing-machine. (Linotype and Machinery, Limited—H. Pearce and J. E. Billington)	25229	18 Nov. ..	4	14 Jan., 1909.
Hunter, J. T., Wellington, N.Z. Dress-cutting chart. (I. Charles) ..	23621	18 Oct., 1907..	85	29 Oct.
Hursthouse, E. W., Wellington, N.Z. Lamp-pillar	25107	21 Oct. ..	100	10 Dec.*
Hursthouse, E. W., Wellington, N.Z. Steam cooking apparatus ..	25108	21 Oct. ..	100	29 Oct.*
Hutchinson, G., Christchurch, N.Z. Reading-stand	25056	12 Oct. ..	85	14 Jan., 1909.*
Hutchinson, G., and another, Christchurch, N.Z. Meat-safe ..	25388	24 Dec. ..	4	..
Hyde, G., Masterton, N.Z. Extension-table	25192	10 Nov.
Ibbotson, E., Gore, N.Z. Washing-fluid	25329	9 Dec.
Imlay, W. L., Conestoga, U.S.A. Filter	25113	22 Oct. ..	100	10 Dec.
Imlay, W. L., Conestoga, U.S.A. Metal-extraction	25345	15 Dec. ..	7	28 Jan., 1909.
Indahl, M. C., and another, Philadelphia, U.S.A. (See Monotype Machine (Colonial Patents) Syndicate, Limited, No. 25145.)				
Inwood, R. G., and another, South Bend, U.S.A. (See E. Phillips, No. 25178.)				
Irabien. (See De Irabien.)				
Irwin, P. S., Waikaka, N.Z. Preventing marine engines from racing	25040	6 Oct. ..	100	10 Dec.
Jackson, F. H., New Plymouth, N.Z. Scythe-handle grip	25262	25 Nov. ..	105	23 Dec.*
Jackson, F. J., and others, Manaia, N.Z. Liquid-measuring, &c., apparatus	25319	9 Dec. ..	7	28 Jan., 1909.
Jackson, J. D., and others, Windsor, Vic. Gas-stove	25132	24 Oct. ..	94	26 Nov.
James, A., and others, Taihape, N.Z. Window-sash balance	25158	30 Oct.
Jamieson, J. A., Wellington, N.Z. Ticket holder or grip	23594	21 Oct., 1907..	79	15 Oct.
Jarrett, A., Glebe, N.S.W. Lamp-globe attachment	23550	3 Oct., 1907..	105	23 Dec.
Jarrett, A., Glebe, N.S.W. Kerosene-pump	25033	7 Oct. ..	85	29 Oct.
Jeanet, M., St. Claude, France. (See M. Ruty, No. 24868.)				
Jenkins, W., and others, Millerton, N.Z. Gold-saving shaking-table..	25139	29 Oct. ..	91	12 Nov.*
Jerram, A. E., Leicester, Eng. (See United Shoe Machinery Company, Nos. 23976, 25305.)				
Johnson, A. B., Auckland, N.Z. Venetian-blind and curtain raiser ..	25190	6 Nov.
Johnson, A. E., and another, Bluff, N.Z. Manufacture of non-corrosive ink	25159	31 Oct. ..	94	26 Nov.*
Jones. (See Garner-Jones.)				
Jones, A. E., and another, Wellington, N.Z. Nipple-coupling for electric-wire pipes	25261	25 Nov.
Jones, G., and others, Millerton, N.Z. Gold-saving shaking-table ..	25139	29 Oct. ..	91	12 Nov.*
Jones, P. A., and another, Grand Rapids, U.S.A. Pasteurisation-process	25247	17 Nov. ..	4	14 Jan., 1909.
Kannuluik, J., Melbourne, Vic. Closet-ventilator	25211	12 Nov.
Karutz, C., Helmstedt, Ger. Bag-closing device	25196	11 Nov. ..	105	23 Dec.
Keall, F. B., Leicester, Eng. (See United Shoe Machinery Company, No. 25201.)				
Keesing, H. M., Auckland, N.Z. Air-tank for gas-manufacture ..	25109	17 Oct. ..	91	12 Nov.*
Keir, J., Sydenham, N.Z. (See P. and D. Duncan, Limited, No. 25266.)				
Kempshall, E., London, Eng. Tire	24663	29 Aug., 1907†	91	12 Nov.
Kendrick, C., Tariki, N.Z. Milk-cooler, &c.	24912	8 Sept. ..	100	10 Dec.
Keyes, E. L., Boston, U.S.A. (See United Shoe Machinery Company, No. 25314.)				
Kidd, J., and another, Auckland, N.Z. Condenser	25114	22 Oct. ..	91	12 Nov.*
Kirkby, E. H., Sydney, N.S.W. Fire-alarm	25268	21 Nov. ..	4	14 Jan., 1909.
Koller, J. C., Doornfontein, Transvaal. Ore-treatment	25127	26 Oct. ..	91	12 Nov.*
Laing, D., Dunedin, N.Z. Cigarettes	25065	9 Oct. ..	85	29 Oct.*
Lamb and Todd, Limited, Wellington, N.Z. Displaying and storing lace curtains. (T. H. White)	25007	2 Oct. ..	105	23 Dec.
Lamplough, F., and others, London, Eng. Rotary motor and pump	25197	11 Nov. ..	105	23 Dec.
Lanier, J. S., West Point, U.S.A. (See J. A. Harriss, No. 25112.)				
Large, R. A., Christchurch, N.Z. Manure and fertiliser distributor ..	25240	19 Nov.
Laut, C., and others, Wellington, N.S.W. Spring-bracket folding-candlestick	25265	24 Nov. ..	105	23 Dec.*
Laut, J., and others, Wellington, N.S.W. Spring-bracket folding-candlestick	25265	24 Nov. ..	105	23 Dec.*
Laut, J. H., and others, Wellington, N.S.W. Spring-bracket folding-candlestick	25265	24 Nov. ..	105	23 Dec.*
Lawrence, J. C. T., and another. Drinking-utensil washing apparatus	25722	13 Nov., 1907	79	15 Oct.
Lawrence, T., and another, Wellington, N.Z. Household-cooler ..	25364	21 Dec. ..	4	14 Jan., 1909.*
Layton, W. J. S., Auckland, N.Z. Chair-leg cushion	25352	14 Dec.
Lazell, E. W., and another, Philadelphia, U.S.A. (See H. S. Spackman Engineering Company, Nos. 25005 and 24540.)				
Lean, R. F., Lithgow, N.S.W. Lubricant	25380	24 Dec. ..	7	28 Jan., 1909.
Le Cornu, P. H., Adelaide, S. Aust. Combination bedroom furniture	25119	23 Oct.
Le Couteur, J. G., Petersham, N.S.W. Horse-collar	24740	30 July ..	100	10 Dec.

ALPHABETICAL LIST OF APPLICANTS FOR LETTERS PATENT—*continued.*

Name, Address, and Invention.	Application.		Gazette.	
	No.	Date.	No.	Date.
Lennard, F., Sydney, N.S.W. Rotary engine	25195	12 Dec., 1907†
Levinge, H. M., Okato, N.Z. Altazimuth instrument	23800	9 Dec., 1907..	100	10 Dec.
Levinson, W., St. Kilda, Vic. Cigarette-holder	25292	2 Dec. ..	4	14 Jan., 1909.*
Lewes, C., New Plymouth, N.Z. Spanner	25325	10 Dec. ..	4	14 Jan., 1909.*
Lewis, J., Carterton, N.Z. Acetylene-gas generator	25136	28 Oct. ..	100	10 Dec.
Lewis, P. J., Lyndhurst, N.Z. Wire-strainer	25320	9 Dec. ..	105	23 Dec.*
Lietz, W. F., and another, Wellington, N.Z. Producing plastic material from flax-fibre	25323	10 Dec. ..	4	14 Jan., 1909.*
Lintotype and Machinery, Limited, London, Eng. (See J. T. Hunter, No. 25229.)				
Linstrom, K. I., Nykvarn, Sweden. Milking-machine	25273	11 Dec., 1907†
Lock, F., Sydney, N.S.W. Loose-binder and file for documents	25143	29 Oct. ..	100	10 Dec.
Locking, B., Napier, N.Z. Vermin-fumigator	25250	21 Nov. ..	4	14 Jan., 1909.
Loke, J. J., Scheveningen, Holland. Tile, &c., manufacture	25401	29 Oct.†
Lomas, J., Southbridge, Tas. Apple-grader	25206	11 Nov. ..	100	10 Dec.*
Long, T. F., Makaraka, N.Z. Thistle-extermiator	25298	2 Dec. ..	7	28 Jan., 1909.*
Lord, A. F., and another, Wellington, N.Z. Splicing-ear for electric conductor	25160	31 Oct. ..	94	26 Nov.*
Lord, A. F., and another, Wellington, N.Z. Section-insulator for electric tramway	25165	2 Nov. ..	94	26 Nov.*
Love, W. J., and another, Burnside, N.Z. Cement-manufacture	25031	3 Oct. ..	85	29 Oct.*
Low, J., and others, Palmerston North, N.Z. Flax-treating apparatus	25094	20 Oct.
Low, J., and others, Palmerston North, N.Z. Flax-scutchers	25095	20 Oct.
Low, J., and others, Palmerston North, N.Z. Flax-treating apparatus	25096	20 Oct.
Low, R. S. B., Wellington, N.Z. Glazing-bar for shop-front	25216	12 Nov. ..	105	23 Dec.
Lowenstein. (See Anne of Lowenstein.)				
Lund, J. P. H., Rockhampton, Q. Ship's rudder	25371	21 Dec.
Lunt, G., Cropton Formby, Eng. Bread-manufacture	25311	9 Dec. ..	7	28 Jan., 1909.
Lyttleton, W. R., Rakaia, N.Z. Music-leaf turner	24897	8 Sept. ..	4	14 Jan., 1909.
Macalpin, A. T., Christchurch, N.Z. Sack-fastener	25018	5 Oct. ..	85	29 Oct.*
Macgregor, W. P. S., and another, Wendonside, N.Z. Wire-strainer	25075	12 Oct. ..	85	29 Oct.*
Maemeikan, J., Melbourne, Vic. Cool-chamber. (R. Rayson)	25171	4 Nov. ..	94	26 Nov.*
Madden, J. M., Christchurch, N.Z. Motive-power transmitter	25394	29 Dec. ..	4	14 Jan., 1909.*
Maddison, W., Gisborne, N.Z. Railway sleeping-accommodation	23903	8 Jan. ..	100	10 Dec.
Maighan, H., Dunedin, N.Z. Raising venetian blinds	25076	12 Oct. ..	91	12 Nov.*
Mainland, H. L., Burkes, N.Z. Spring-jaw trap-attachment	25332	9 Dec.
Mainwaring, W. E., Foxton, N.Z. Telephone-disinfector	25010	3 Oct. ..	85	29 Oct.*
Mainwaring, W. E., Foxton, N.Z. Telephone-disinfector, &c. Marchant. (See Alman-Marchant.)	25238	19 Nov. ..	100	10 Dec.*
Marks, H. J., Toowoomba, Q. Building-construction	25210	12 Nov. ..	4	14 Jan., 1909.
Marks, H. S., Melbourne, Vic. Chaff and root cutter	25209	12 Nov. ..	105	23 Dec.
Marriage, M. W., and another, Dunedin, N.Z. Removing sand from castings	25391	24 Dec. ..	4	14 Jan., 1909.*
Marshall-Thomas, J., Dunedin, N.Z. Cycle-stand	25299	2 Dec. ..	4	14 Jan., 1909.*
Martin, H. S., Liverpool, Eng. Producing mechanical vibrations, and converting them into electrical variations	25020	6 Oct. ..	85	29 Oct.*
Martyn, T., Paeroa, N.Z. Billiard-table	24776	10 Aug. ..	91	12 Nov.
Martyn, T., Paeroa, N.Z. Weatherboarding	24781	11 Aug. ..	91	12 Nov.
Mason, J., Sebastopole, U.S.A. Gate-latch	25129	27 Oct. ..	94	26 Nov.
Massey, C. B., Christchurch, N.Z. Medicine	25360	18 Dec.
Maxim, H. P., Hartford, U.S.A. (See Maxim Silent Firearms Company, No. 25373.)				
Maxim Silent Firearms Company, Jersey City, U.S.A. Gun-discharge silencer. (H. P. Maxim)	25373	23 Dec. ..	7	28 Jan., 1909.
May, F. W., Shannon, N.Z. Ballast-truck	25039	8 Oct. ..	85	29 Oct.*
Mayson, T. W., and another, Auckland, N.Z. Tram-car, &c., life-saving catcher	24779	7 Aug. ..	105	23 Dec.
McDonald, R. J., Devonport, N.Z. Shoe	25060	9 Oct. ..	91	12 Nov.*
McDonald, W. J., and another, Kaupokonui, N.Z. Milk-agitating apparatus	25393	29 Dec. ..	4	14 Jan., 1909.*
McDonough, T., Collingwood, Vic. Wool scouring and drying machine	25343	15 Dec.
McDougall, E. G., Wanganui, N.Z. (See J. T. Muir, No. 25025.)				
McHalick, J., Takapau, N.Z. Road-former	23805	10 Dec., 1907..	105	23 Dec.
McHarg, J., Nelson, N.Z. Safety-strap for perambulator	25213	12 Nov.
McLaurin, J. D., Pohangina, N.Z. Baled-goods temperature-tester. (W. Alexander)	25194	11 Nov. ..	100	10 Dec.*
McLeod, F. D., Auckland, N.Z. Corrosion-preventing solution	25111	19 Oct. ..	100	10 Dec.*
McLeod, J. H., Carterton, N.Z. Cheese-vat	25187	7 Nov. ..	100	10 Dec.*
McMaster, A., Taihape, N.Z. Lifting-jack	23600	16 Oct., 1907	79	15 Oct.
McMiken, S. D., Komata, N.Z. Metallurgical furnace	25118	20 Oct. ..	94	26 Nov.*
McMullen, J., Makuri, N.Z. Mail-bag deliverer and receiver	25106	21 Oct. ..	85	29 Oct.*
McNabb, T., Collingwood, N.Z. Picture-frame making apparatus	25035	8 Oct. ..	85	29 Oct.*
McPharlin, E. P. S., Wangeling Pool, W.A. Securing fence-wires to posts	25023	6 Oct. ..	85	29 Oct.
McPherson, J. S., Wakefield, N.Z. Broom, &c., bracket	25041	9 Oct. ..	85	29 Oct.
Mead, W. C., Malden, Vic. Cycle handle-bar	25021	6 Oct. ..	85	29 Oct.*
Meek, R., and another, Auckland, N.Z. Billiard-table	25098	19 Oct. ..	91	12 Nov.*
Merrill, C. W., Alameda, U.S.A. Recovering metals from solution	24994	1 Oct. ..	7	28 Jan., 1909.
Merry, H. E. D., Cuddingwarra, W.A. Rock-drill feed-screw	25289	28 Nov. ..	4	14 Jan., 1909.
Metals Extraction Corporation, Limited, London, Eng. Zinc-separation. (W. Hommel and H. L. Sulman)	25296	3 Dec., 1907†

ALPHABETICAL LIST OF APPLICANTS FOR LETTERS PATENT—*continued.*

Name, Address, and Invention.	Application.		Gazette.	
	No.	Date.	No.	Date.
Metters, C. H., and others, Melbourne, Vic. Gas-stove	25132	24 Oct. ..	94	26 Nov.
Metters, J. T., and others, Melbourne, Vic. Gas-stove	25132	24 Oct. ..	94	26 Nov.
Mieville, M. F., Chichester, Eng. Production of carburetted air ..	25285	2 Dec. ..	4	14 Jan., 1909.
Millis, R., Dunedin, N.Z. Flax-fibre preparation	23520	25 Sept., 1907	94	26 Nov.
Millis, R., Dunedin, N.Z. Tire-protector	25064	9 Oct. ..	85	29 Oct.*
Mitchell, H. C., Brixton, Eng. Printing-process	23079	3 July, 1907..	75	1 Oct.
Mitchell, J., Auckland, N.Z. Wall, &c., construction	25057	12 Oct. ..	91	12 Nov.
Mitchell, J., Auckland, N.Z. Wall, &c., construction	25070	13 Oct. ..	91	12 Nov.
Mitchell, J., Auckland, N.Z. Building-plaster	25071	13 Oct. ..	94	26 Nov.
Mitchell, T., and others, Sydney, N.S.W. Spring-bracket folding-candlestick	25265	24 Nov. ..	105	23 Dec.*
Monotype Machine (Colonial Patents) Syndicate, Limited, London, Eng. Composing-machine record-strip controller. (J. S. Bancroft and M. C. Indahl)	25145	29 Oct. ..	100	10 Dec.
Monotype Machine (Colonial Patents) Syndicate, Limited, London, Eng. Multiplex composing-machine. (W. Bancroft)	25368	22 Dec. ..	7	28 Jan., 1909.
Monteath, L. M. M., New Plymouth, N.Z. Flax-treatment	25073	13 Oct. ..	85	29 Oct.*
Moore, M., and another, Melbourne, Vic. Ore-treatment	24196	31 March ..	75	1 Oct.
Moore, W., Traralgon, Vic. Wire-strainer	25307	9 Dec. ..	7	28 Jan., 1909.
Morley, G. H., Hobart, Tas. Cleaning drinking, &c., vessels ..	25208	11 Dec. ..	100	10 Dec.*
Morris, J. H., Bingara, N.S.W. Seed-sower	25141	29 Oct. ..	100	10 Dec.
Morton, W., and others, Dunedin, N.Z. Lock	24999	29 Sept. ..	94	26 Nov.
Morton, W. J. L., Adelaide, S. Aust. Winding wool, &c.	23781	4 Dec., 1907..	100	10 Dec.
Moscicki, I., Gampack, Switzerland. Production of nitrogen-oxides ..	25148	29 Oct. ..	105	23 Dec.
Moss, A. E., Dunedin, N.Z. Vote-recording apparatus	23646	24 Oct., 1907 ..	79	15 Oct.
Moss, E., Christchurch, N.Z. Fire-alarm	25084	15 Oct. ..	91	12 Nov.*
Moss, E., and another, Christchurch, N.Z. Heat and moisture tester for baled goods	25157	27 Oct. ..	105	23 Dec.
Mossong, L., and another, Wellington, N.Z. Carriage-seat	25131	27 Oct. ..	94	26 Nov.*
Muir, G. T., and others, Melbourne, Vic. Bedstead	25308	9 Dec.
Muir, G. T., and others, Melbourne, Vic. Bedstead-frame cramp. (J. D. Muir)	25375	23 Dec.
Muir, G. T., and others, Melbourne, Vic. Bedstead-fastening device. (J. D. Muir)	25378	23 Dec.
Muir, J. D., and others, Melbourne, Vic. Bedstead	25308	9 Dec.
Muir, J. D. (See G. T., T. M., and J. K. Muir, Nos. 25375 and 25378.)				
Muir, J. H., and others, N. Melbourne, Vic. Bedstead	25308	9 Dec.
Muir, J. K., and others, N. Melbourne, Vic. Bedstead	25308	9 Dec.
Muir, J. K., jun., and others, Melbourne, Vic. Bedstead-frame cramp. (J. D. Muir)	25375	23 Dec.
Muir, J. K., jun., and others, Melbourne, Vic. Bedstead-fastening device. (J. D. Muir)	25378	23 Dec.
Muir, J. T., Wanganui, N.Z. Dividing and wrapping blocks of butter. (E. G. McDougall)	25025	7 Oct. ..	85	29 Oct.*
Muir, T. M., and others, N. Melbourne, Vic. Bedstead	25308	9 Dec.
Muir, T. M., and others, Melbourne, Vic. Bedstead-cramp. (J. D. Muir)	25375	23 Dec.
Muir, T. M., and others, Melbourne, Vic. Bedstead-fastening device. (J. D. Muir)	25378	23 Dec.
Mullally, T. L., Buenos Ayres, Argentine. Stack, &c., cover	24135	13 March ..	75	1 Oct.
Murray, C., Granity, N.Z. Rope-grip	25328	11 Dec. ..	4	14 Jan., 1909.*
Murray, D. S., Melbourne, Vic. Grip for use in stitching wool-bales. (R. Rogerson)	25144	29 Oct. ..	100	10 Dec.
Murray, W., Mokoreta, N.Z. Spanner	25092	16 Oct. ..	94	26 Nov.
Musgrove, F., Sydney, N.S.W. Amusement apparatus. (W. Taylor)	25264	25 Nov. ..	4	14 Jan., 1909.
National Cash Register Company, Dayton, U.S.A. Cash and credit register. (E. S. Church)	25117	22 Oct. ..	100	10 Dec.
National Wire-bound Box Company, South Bend, U.S.A. (See E. Phillips, No. 25178.)				
Nees, B. H., Dunedin, N.Z. Metal coupling for wooden frame ..	25321	7 Dec. ..	7	28 Jan., 1909.
Neich, C. R. H., and another, Wellington, N.Z. Carriage-seat ..	25131	27 Oct. ..	94	26 Nov.*
Nelson, G., Napier, N.Z. Refrigerator	25179	4 Nov. ..	94	26 Nov.*
Nelson, W., Auckland, N.Z. Lamp-ventilator, &c.	25034	3 Oct. ..	91	12 Nov.*
Newcomb, R. S., Auckland, N.Z. Closet or privy	25362	21 Dec. ..	4	14 Jan., 1909.
Newton, P. M., Melbourne, Vic. Talking-machine horn. (J. C. English)	25234	18 Nov. ..	4	14 Jan., 1909.
Nicholson, H. A., Otautau, N.Z. Beating-bar	25386	24 Dec.
Nicholson, H. A., Otautau, N.Z. Flax-stripper	25387	24 Dec. ..	7	28 Jan., 1909.
Nightingall Gas Control Company, Limited, Melbourne, Vic. Gas lighter and extinguisher. (V. C. J. Nightingall)	25390	23 Dec. ..	12	11 Feb., 1909.
Nightingall, V. C. J. (See Nightingall Gas Control Company, Limited, No. 25390.)				
Noad, J., East Ham, Eng. (See Patent Hydrocarbon, Limited, No. 25398.)				
Nordberg, C. V., Nelson, N.Z. Hop-stringer	24825	18 Aug. ..	91	12 Nov.
Norris, F. M., Kilbirnie, N.Z. Obviating use of sash-weights for windows	25140	29 Oct.
Norris, F. M., Kilbirnie. Non-refillable bottle	25340	14 Dec. ..	7	28 Jan., 1909.*
Oakden, F., Dunedin, N.Z. Lime-burning process. (E. Schmatolla)	25121	21 Oct. ..	100	10 Dec.
Oakden, F., Dunedin, N.Z. Lime-burning kiln. (E. Schmatolla) ..	25122	21 Oct. ..	100	10 Dec.
O'Brien, J. G., Wanganui, N.Z. Gas-stove boiler	25124	20 Oct.

ALPHABETICAL LIST OF APPLICANTS FOR LETTERS PATENT—*continued.*

Name, Address, and Invention.	Application.		Gazette.	
	No.	Date.	No.	Date.
O'Connor, D., and another, Wellington, N.Z. Producing plastic material from flax-fibre	25323	10 Dec. ..	4	14 Jan., 1909.*
O'Donnell, V., Willaura, Vic. Rope-making machinery	25080	15 Oct. ..	94	26 Nov.
Oldham, V. G., Christchurch. Beehive	24575	29 June ..	105	23 Dec.
Oliver, J. C., Tauranga, N.Z. Colander	25093	20 Oct. ..	91	12 Nov.*
Olson, C. F., Wellington, N.Z. Roller-blind bracket	25272	27 Nov. ..	4	14 Jan., 1909.*
Orr, W. M., Dunedin, N.Z. Dredge-ladder roller	24011	15 Feb. ..	4	14 Jan., 1909.
Osborne, A., and another, Belgravia, Trans. Rotary filtering apparatus	25128	26 Oct. ..	100	10 Dec.
Osborne, A., and another, Belgravia, Trans. Filtering apparatus ..	25180	4 Nov. ..	105	23 Dec.
Owen, F., Taumarunui, N.Z. Oven-shelf	25225	17 Nov. ..	94	26 Nov.*
Owen, J. E., Auckland, N.Z. Block or tile for sewers	25222	16 Nov. ..	100	10 Dec.*
Owen, J. W., Philadelphia, U.S.A. Sound-record	24964	23 Sept., 1907†	91	12 Nov.
Oxychlorides (1907), Limited, London, Eng. Sewage-treating method and apparatus. (A. B. Thomson)	25100	21 Oct. ..	100	10 Dec.
Page, F. W., Morrinsville, N.Z. Wire-strainer	25297	3 Dec. ..	4	14 Jan., 1909.*
Page, W. V., Auckland, N.Z. Label, attaching to fabric	25153	26 Oct. ..	94	26 Nov.*
Paladini, R., Wellington, N.Z. Fan	25054	12 Oct. ..	85	29 Oct.*
Palmer, T., and another, Hokitika, N.Z. Steam-turbine engine	25156	22 Oct. ..	4	14 Jan., 1909.*
Palmer, W. H., Porsgrund, Norway. Explosive	24371	8 May ..	94	26 Nov.
Parker, A., Dannevirke, N.Z. Stamp-vending machine	23632	23 Oct., 1907..	100	10 Dec.
Parker, E. A., Collingwood, N.Z. Window-fastener	25024	7 Oct. ..	85	29 Oct.*
Parker, T., London, Eng. Fuel	23027	22 June, 1906†	75	1 Oct.
Parker, T., Wednesfield, Eng. Coal, &c., distillation	25306	9 Dec. ..	7	28 Jan., 1909.
Parsons, C. A., Newcastle-on-Tyne, Eng. Turbine	25402	30 Dec. ..	12	11 Feb., 1909.
Parsons, W. J., Wellington, N.Z. Step-ladder	25069	13 Oct. ..	85	29 Oct.*
Patent Hydrocarbon, Limited, London, Eng. Hydrocarbon-oil treatment. (J. Noad)	25398	31 Dec. ..	100	10 Dec.
Paterson, J. A., Wellington, N.Z. Hydrocarbon-gas producer	25042	9 Oct. ..	12	11 Feb., 1909.
Paterson, J. A., Wellington, N.Z. Hydrocarbon-gas apparatus	25164	2 Nov. ..	94	26 Nov.*
Paul, C. H. R., Brisbane, Q. Pressing and ironing machine	25022	6 Oct. ..	85	29 Oct.
Paulin, J. D. T., and another, Dunedin, N.Z. Ladder-platform bracket	23986	5 Feb. ..	105	23 Dec.
Peake, J., jun., and another, Hokitika, N.Z. Steam-turbine	24974	25 Sept. ..	91	12 Nov.
Pearce, H., and another, Broadheath, Eng. (See J. T. Hunter, No. 25229.)				
Peyrecave. (See De Peyrecave.)				
Phelps, J., Auckland, N.Z. Building-plaster	25226	14 Nov. ..	100	10 Dec.*
Phillips, E., Melbourne, Vic. Machine for making wire-bound box-blanks. (National Wire-bound Box Company—R. G. Inwood and C. C. Chapman.)	25178	4 Nov. ..	105	23 Dec.
Pomeroy, J., Invercargill, N.Z. Glass-washing appliance	25353	14 Dec. ..	4	14 Jan., 1909.*
Pool, F. W., Auckland, N.Z. Vehicle-brake	25168	3 Nov.
Poole, D. A., Matapu, N.Z. Milking-machine teat-cup	25214	12 Nov. ..	100	10 Dec.*
Powell, W. J., and another, Melbourne, Vic. Offal-treatment	25396	30 Dec. ..	12	11 Feb., 1909.
Powrie, J. A., Lower Hutt, N.Z. Poultry and stock feeding bin	25082	15 Oct. ..	12	11 Feb., 1909.
Powrie, J. A., Lower Hutt, N.Z. Water-strainer	25083	15 Oct. ..	12	11 Feb., 1909.
Pulley, C. F., Wellington, N.Z. Wharf-decking planing-machine	23988	10 Feb. ..	4	14 Jan., 1909.
Quertier, H., Timaru, N.Z. Carburetter	25130	27 Oct. ..	91	12 Nov.*
Quertier, H., Timaru, N.Z. Recording and tallying device	25341	11 Dec. ..	4	14 Jan., 1909.*
Quested, J., Edendale, N.Z. Cheese-case-making appliance	25354	4 Dec. ..	4	14 Jan., 1909.*
Raby, R., Melbourne, Vic. Tap	25309	10 Dec., 1907†	7	28 Jan., 1909.
Radford, H. R., Waimanuku, N.Z. Egg-carrier	23851	18 Dec., 1907..	91	12 Nov.
Rann, A. R., and another, Auckland, N.Z. Roller-mill for tailings	25370	18 Dec. ..	4	14 Jan., 1909.
Rau, A., and another, Sydney, N.S.W. Manifold copying-book	25228	18 Nov. ..	100	10 Dec.*
Rayson, R., Melbourne, Vic. (See J. Macmeikan, No. 25171.)				
Reid, A. W., Stratford, N.Z. Vacuum-pump milking-machine	25236	18 Nov. ..	100	10 Dec.*
Reid, E. C., and another, Ravensbourne, N.Z. Wire-strainer	25075	12 Oct. ..	85	29 Oct.*
Reynolds, H., N. Brighton, N.Z. Starting-barrier for horse-racing	25339	12 Dec. ..	4	14 Jan., 1909.*
Rice, T., Palmerston North, N.Z. Potato, &c. peeler	25134	28 Oct.
Richardson, G., Auckland, N.Z. Illusion apparatus	23937	23 Jan. ..	85	29 Oct.
Richardson, W. G., Auckland, N.Z. Centrifugal machine	25085	16 Oct. ..	85	29 Oct.*
Richardson, W. G., Auckland, N.Z. Hemp-washing, &c., and saccharine and gum recovery	25224	13 Nov. ..	100	10 Dec.*
Rissel, A. K. W., and another, Wellington, N.Z. Recording deviations in ship's course, and sounding alarm	25008	2 Oct. ..	79	15 Oct.*
Robinson, F. W., Auckland, N.Z. Drill-socket	25172	4 Nov.
Roebuck, W. J., and another, Dunedin, N.Z. Scaffolding-clamp	23969	1 Feb. ..	100	10 Dec.
Roebuck, W. J., Dunedin, N.Z. Adjustable foot for ladder	23919	14 Jan. ..	4	14 Jan., 1909.
Roebuck, W. J., and another, Dunedin, N.Z. Ladder-platform bracket	23986	5 Feb. ..	105	23 Dec.
Roebuck, W. J., Dunedin, N.Z. Post-coupling	25032	5 Oct. ..	91	12 Nov.*
Roebuck, W. J., Dunedin, N.Z. Step-ladder	25074	13 Oct. ..	85	29 Oct.*
Rogerson, R., Elphinstone, Vic. (See D. S. Murray, No. 25144.)				
Rollo, J. A., Christchurch, N.Z. Oil-can	24995	1 Oct.
Rome. (See Von Rome.)				
Ross, F. E., Cambridge, N.Z. Sanitary apparatus for use in milking-sheds	25295	30 Nov.
Ross, J., Waverley, N.Z. Transferring clothes from washing-boiler, &c.	25212	12 Nov. ..	105	23 Dec.
Ross, P. B., Mahurangi Heads, N.Z. Stirrup-iron	24491	4 June ..	75	1 Oct.*
Rough, W. P., Wellington, N.Z. Carburetter	24242	9 April ..	91	12 Nov.

ALPHABETICAL LIST OF APPLICANTS FOR LETTERS PATENT—*continued.*

Name, Address, and Invention.	Application.		Gazette.	
	No.	Date.	No.	Date.
Russell, J. C., and another, Wellington, N.Z. Splicing-ear for electric conductor	25160	31 Oct. ..	94	26 Nov. *
Russell, J. C., and another, Wellington, N.Z. Section-insulator for electric tramway	25165	2 Nov. ..	94	26 Nov.*
Rutty, M., Sydney, N.S.W. Smoking-pipe. (M. Jeantet)	24868	1 Sept. ..	100	10 Dec.*
Sainsbury, R., and others, Millerton, N.Z. Gold-saving shaking-table	25139	29 Oct. ..	91	12 Nov.*
Salomo, H. A. H., Melbourne, Vic. Differential gear	25271	26 Nov. ..	4	14 Jan., 1909.
Sandy, W. J. L., London, Eng. Electrolyte for electric battery	24982	25 Sept.
Schmatolla, E., London, Eng. (See F. Oakden, Nos. 25121 and 25122.)
Schmidt, H. D., Auckland, N.Z. Artificial eye	25281	27 Nov. ..	105	23 Dec.*
Schou, E. V., Ealing, Eng. Soap-manufacture	25079	15 Oct. ..	94	26 Nov.
Scott, G. M., Wellington, N.Z. Illuminated advertising-device ..	25068	13 Oct.
Scott, H. G., Jamaica, U.S.A. Dispensing-stopper for liquid-receptacles	25037	8 Oct. ..	85	29 Oct.
Seifert, W., Takapau, N.Z. Flax-treatment	25038	8 Oct. ..	85	29 Oct.*
Seifert, W., Palmerston North, N.Z. Flax-treatment	25395	29 Dec. ..	4	14 Jan., 1909.*
Sharp, A., London, Eng. Air-spring	25245	17 Nov. ..	4	14 Jan., 1909.
Shepherd, J., and another, Hokitika, N.Z. Steam-turbine engine ..	25156	22 Oct. ..	4	14 Jan., 1909.*
Siddall, M., Christchurch, N.Z. Kettle	25028	7 Oct.
Simon, Limited, H., Manchester, Eng. Flour milling and conditioning. (L. M. Thomas)	25110	20 Oct. ..	105	23 Dec.
Skelsey, F. W., and another, Burnside, N.Z. Cement-manufacture ..	25031	3 Oct.
Skipage, C. R., Featherston, N.Z. Cow-bail	25249	20 Nov. ..	100	10 Dec.*
Smart, H., New Plymouth, N.Z. Spouting-bracket	25167	2 Nov. ..	94	26 Nov.*
Smart, T. C., Dudley, Eng. Fender	23930	23 Jan. ..	100	10 Dec.
Smith, H. E., Edinburgh, Scot. Carburetter	25346	15 Dec. ..	7	28 Jan., 1909.
Smith, H. R., Christchurch, N.Z. Force-pump	25006	2 Oct. ..	85	29 Oct.*
Smith, H. R., Christchurch, N.Z. Rotary pump	25220	13 Nov. ..	100	10 Dec.*
Smith, J. A., and another, Leytonstone, Eng. Tire	25369	21 Dec.
Smith, R. J., Masterton, N.Z. Mortise-lock	24667	14 July ..	79	15 Oct.
Smith, R. W., and others, Taihape, N.Z. Window-sash balance ..	25158	30 Oct.
Smith, W. T., Los Angeles, U.S.A. Metal-extraction	23758	27 Nov., 1907	91	12 Nov.
Spackman, H. S., Engineering Company, Philadelphia, U.S.A. Cementitious materials. (H. S. Spackman and E. W. Lazell)	25005	30 Sept. ..	91	12 Nov.
Spackman, H. S., Ardmore, U.S.A. Cement-burning apparatus ..	25189	5 Nov.
Spackman, H. S., and another, Ardmore, U.S.A. (See H. S. Spackman Engineering Company, Nos. 25005 and 24540.)
Spackman, H. S., Engineering Company, Philadelphia, U.S.A. Plastic composition. (H. S. Spackman and E. W. Lazell)	24540	19 June ..	4	4 Jan., 1909.
Spooner, A., and another, Alexandra South. Power-transmitter for turbine	25138	26 Oct. ..	94	26 Nov.*
Spooner, A. E., and another, Alexandra South. Current-motor ..	25333	8 Dec. ..	7	28 Jan., 1909.
Stamp, J. W., and another, Melbourne, Vic. Offal-treatment ..	25396	30 Dec. ..	12	11 Feb., 1909.
Steffens, H. A. F., Christchurch, N.Z. Seed-sower	23585	14 Oct., 1907..	85	29 Oct.
Stephenson, J. F., Glenferrie, Vic. Spring-mattress	25146	29 Oct. ..	100	10 Dec.
Stephenson, J. F., Glenferrie, Vic. Bedstead-joint	25147	29 Oct. ..	100	10 Dec.
Stephenson, J. F., Glenferrie, Vic. Ornamental mounts for bedsteads	25175	4 Nov. ..	105	23 Dec.
Stewart, G. T., and another, Featherston, N.Z. Searing and docking knife	25256	24 Nov.
Stewart, G. T., and another, Featherston, N.Z. Variable gear ..	25258	24 Nov.
Stewart, G. T., and another, Featherston, N.Z. Automatic variable pulley	25356	19 Dec. ..	4	14 Jan., 1909.*
Stewart, H. H., and another, Featherston, N.Z. Searing and docking knife	25256	24 Nov.
Stewart, H. H., and another, Featherston, N.Z. Variable gear ..	25258	24 Nov.
Stewart, H. H., and another, Featherston, N.Z. Automatic variable pulley	25356	19 Dec. ..	4	14 Jan., 1909.*
Stewart, V. M., Auckland, N.Z. Table-game apparatus	25188	7 Nov. ..	94	26 Nov.*
Stokes, H. W., and others, Taihape, N.Z. Window-sash balance ..	25158	30 Oct.
Storrie, A., Invercargill, N.Z. Seed-sower, &c.	23751	20 Nov., 1907	79	15 Oct.
Stott, C., and another, Brisbane, Q. Totalisator	25090	17 Oct. ..	100	10 Dec.
Stronach, J., Dunedin, N.Z. Wash-board	25012	1 Oct. ..	4	14 Jan., 1909.*
Stubbs, F., Auckland, N.Z. Cooking-range hot-water system ..	25097	16 Oct. ..	91	12 Nov.*
Stubbs, F., Auckland, N.Z. Draw-off-pipe apparatus	25207	10 Nov. ..	94	26 Nov.*
Stubbs, F., Auckland, N.Z. Hot-water system	25392	23 Dec. ..	4	14 Jan., 1909.*
Styles, A. E., Wendon Valley, N.Z. Dray-brake	25077	10 Oct. ..	91	12 Nov.
Suckling, J. O., Eketahuna, N.Z. Flushing mechanism	25137	28 Oct. ..	94	26 Nov.*
Sulman, H. L., and another, London, Eng. (See Metals Extraction Corporation, Limited, 25296.)
Suttie, C., and another, Waharoa, N.Z. Flax-treatment	23391	25 Aug. ..	75	1 Oct.
Suttie, C., and another, Waharoa, N.Z. Flax-catcher	25260	21 Nov. ..	4	14 Jan., 1909.
Swain, W. E., Huntly, N.Z. Window	25327	8 Dec. ..	4	14 Jan., 1909.*
Sweeney, J., and another, Coromandel, N.Z. Condenser	25114	22 Oct. ..	91	12 Nov.*
Syvret, J., Sydney, N.S.W. Closet	24903	10 Sept. ..	91	12 Nov.*
Tait, A. L. J., Dunedin, N.Z. Pot-cleaner	23798	8 Dec., 1907..	94	26 Nov.
Talbut, W., Wellington, N.Z. Race-starting machine	25302	5 Dec. ..	4	14 Jan., 1909.*
Tange, A. S., Wellington, N.Z. Non-refillable bottle	25301	4 Dec. ..	7	28 Jan., 1909.*
Taylor, G. E., Englefield Green, Eng. Sterilising, &c., tablet ..	25259	13 Dec., 1907†
Taylor, W., London, Eng. (See F. Musgrove, 25264.)
Temple, E., Sydney, N.S.W. Gas generator and purifier	25176	4 Nov. ..	105	23 Dec.
Thew, H. E., Timaru, N.Z. Window-sash balance	25277	27 Nov. ..	7	28 Jan., 1909.*

ALPHABETICAL LIST OF APPLICANTS FOR LETTERS PATENT - *continued.*

Name, Address, and Invention.	Application.		Gazette.	
	No.	Date.	No.	Date.
Thew, H. E., Rangitata, N.Z. Tine-harrow attachment	25404	31 Dec. ..	7	28 Jan., 1909.*
Thomas, A., Detroit, U.S.A. Reinforced concrete	25374	23 Dec. ..	7	28 Jan., 1909.
Thomas, H., Catford, London, Eng. Meat-slicing machine ..	25349	12 Dec. ..	7	28 Jan., 1909.
Thomas, L. M., Strassburg, Germany. (See Henry Simon, Limited, No. 25110.)				
Thomas. (See Marshall-Thomas.)				
Thompson, A. B., and another, Brookton, W.A. Rubber stud and heel-plate for boots, &c.	25235	18 Nov.
Thomsen, H. C., Waingawa, N.Z. Cocksfoot-thresher and seed-fanner	25002	2 Oct. ..	85	29 Oct.*
Thomson, A. B., London, Eng. (See Oxychlorides (1907), Limited, No. 25100.)				
Thomson, C., and others, Winton, N.Z. Hair-pin	25091	17 Oct. ..	4	14 Jan., 1909.
Thomson, C., and others, Winton, N.Z. Hair-pin	25091	17 Oct. ..	4	14 Jan., 1909.
Thomson, C. E., and others, Winton, N.Z. Hair-pin	25091	17 Oct. ..	4	14 Jan., 1909.
Thomson, E. J., and another, Dunedin, N.Z. Scaffolding-clamp	23969	1 Feb. ..	100	10 Dec.
Thomson, M., and others, Winton, N.Z. Hair-pin	25091	17 Oct. ..	4	14 Jan., 1909.
Thornton, A., and another, Wellington, N.Z. Means for supporting a camera	25282	1 Dec. ..	105	23 Dec.*
Thornton, J. L., and another, Wanganui, N.Z. Brick, &c., making composition	25358	17 Dec. ..	12	11 Feb., 1909.*
Thorp, F. W., and another, Motueka, N.Z. Ship's propeller ..	24952	21 Sept. ..	100	10 Dec.
Thwaites, W., Seaward Bush, N.Z. Railway-point, &c., lock ..	25011	1 Oct. ..	85	29 Oct.*
Tierney, J. W., and another, London, Eng. Producing reciprocating motion	25312	11 Dec., 1907†
Tillie, M., Londonderry, Ireland. Button-hole-machine guide ..	25154	27 Oct. ..	105	23 Dec.
Toles, J. K., Stockton, U.S.A. Fibre-cleaning apparatus	25149	29 Oct. ..	105	23 Dec.
Toles, J. K., Stockton, U.S.A. Fibre-carrying, &c., reversing apparatus	25150	29 Oct. ..	105	23 Dec.
Toles, J. K., Stockton, U.S.A. Fibre preparing, &c., cleaning apparatus	25157	29 Oct. ..	7	28 Jan., 1909.
Tong, J. W., and another, Hawera, N.Z. Asphalt-manufacture ..	25017	5 Oct.
Tonks, F., Wellington, N.Z. Chimney	23793	5 Dec., 1907..	105	23 Dec.
Tonks, F., and Co. (See F. Tonks, No. 23793.)				
Torrington, F., Auckland, N.Z. Plunger for aerated-water apparatus ..	25123	21 Oct. ..	91	12 Nov.*
Trengrove, W. H., and another, Wellington, N.Z. Finger-protecting sewing-shield	25125	26 Oct.
Trengrove, W. H., Wellington, N.Z. Internal-combustion engine ..	25215	12 Nov. ..	100	10 Dec.*
Trevellian, F. H., Wellington, N.Z. Machine for ruling and preparing paper ribbons	25384	24 Dec. ..	4	14 Jan., 1909.*
Trewhella, B., and another, Trentham, Vic. Roller-grip for band-gearing	25061	9 Oct. ..	91	12 Nov.
Trewhella, B., and another, Trentham, Vic. Double-pinion toothed gearing	25062	9 Oct. ..	100	10 Dec.
Trewhella, B., and another, Trentham, Vic. Pawl and ratchet mechanism	25063	9 Oct. ..	91	12 Nov.
Trewhella Bros. (See B. and W. Trewhella.)				
Trewhella, W., and another, Trentham, Vic. Roller-grip for band-gearing	25061	9 Oct. ..	91	12 Nov.
Trewhella, W., and another, Trentham, Vic. Double-pinion toothed gearing	25062	9 Oct. ..	100	10 Dec.
Trewhella, W., and another, Trentham, Vic. Pawl and ratchet mechanism	25063	9 Oct. ..	91	12 Nov.
United Shoe Machinery Company, Paterson, U.S.A. Inseam-trimming machine. (A. Bates)	23811	11 Dec., 1907..	105	23 Dec.
United Shoe Machinery Company, Paterson, U.S.A. Heel-building machine. (W. R. Barclay and A. Bates)	23899	8 Jan. ..	91	12 Dec.
United Shoe Machinery Company, Paterson, U.S.A. Lasting-machine. (J. Cavanagh, jun.)	23915	15 Jan. ..	105	23 Dec.
United Shoe Machinery Company, Paterson, U.S.A. Upper-conforming machine. (O. Ashton)	25103	21 Oct. ..	85	29 Oct.*
United Shoe Machinery Company, Paterson, U.S.A. Press. (A. Bates)	25104	21 Oct. ..	85	29 Oct.*
United Shoe Machinery Company, Paterson, U.S.A. Heel-nailing machine. (E. A. Webster)	25199	11 Nov. ..	94	26 Nov.*
United Shoe Machinery Company, Paterson, U.S.A. Resurfacing bed of press. (A. Bates)	25200	11 Nov. ..	94	26 Nov.*
United Shoe Machinery Company, Paterson, U.S.A. Tool-controlling mechanism. (F. B. Keall)	25201	11 Nov. ..	94	26 Nov.*
United Shoe Machinery Company, Paterson, U.S.A. Sole-levelling machine. (E. E. Winkley)	25202	11 Nov.
United Shoe Machinery Company, Paterson, U.S.A. Inseam-trimming machine. (A. Bates)	25203	11 Nov. ..	100	10 Dec.*
United Shoe Machinery Company, Paterson, U.S.A. Lasting-machine. (M. Brock)	25204	11 Nov. ..	94	26 Nov.*
United Shoe Machinery Company, Paterson, U.S.A. Leather-skiving machine. (A. E. Jerram, A. Bates, and J. Gouldbourn)	25305	9 Dec. ..	105	23 Dec.*
United Shoe Machinery Company, Paterson, U.S.A. Boot-machine. (E. L. Keyes)	25314	9 Dec.
United Shoe Machinery Company, Paterson, U.S.A. Boot-machine-positioning apparatus. (A. Bates)	25315	9 Dec. ..	4	14 Jan., 1909.*
United Shoe Machinery Company, Paterson, U.S.A. Boot-machine jack. (C. S. Wells)	25316	9 Dec. ..	4	14 Jan., 1909.*
United Shoe Machinery Company, Paterson, U.S.A. Boot-sole machine. (F. E. Bertrand)	25317	9 Dec. ..	105	23 Dec.*

ALPHABETICAL LIST OF APPLICANTS FOR LETTERS PATENT—*continued.*

Name, Address, and Invention.	Application.		Gazette.	
	No.	Date.	No.	Date.
United Shoe Machinery Company, Paterson, U.S.A. Heel-finishing machine. (A. Bates)	25318	9 Dec. ..	105	23 Dec.*
United Shoe Machinery Company, Paterson, U.S.A. Boot or shoe machine. (A. Bates)	23975	6 Feb. ..	100	10 Dec.
United Shoe Machinery Company, Paterson, U.S.A. Punching and eyeletting machine. (A. E. Jerram and J. Gouldbourn)	23976	6 Feb. ..	100	10 Dec.
Von Rome, F. O., and another, Christchurch, N.Z. Meat-safe ..	25388	24 Dec. ..	4	14 Jan., 1909.*
Waechter-Gerber, J., Zurich, Switzerland. Vacuum-cleaning apparatus	25348	12 Dec. ..	7	28 Jan., 1909.
Walker, A., and another, Dunedin, N.Z. Removing sand from castings	25391	24 Dec. ..	4	14 Jan., 1909.*
Walker, G., Tuakau, N.Z. Flax-cutting tool	25162	29 Oct.
Walker, R., Wellington, N.Z. Fusible plug	25254	23 Nov. ..	100	10 Dec.*
Walton, T. K., Waiuku, N.Z. Milk-preparation for freezing ..	25191	5 Nov. ..	105	23 Dec.
Waters, R. J., Blenheim, N.Z. Fencing-wire fastener	24996	1 Oct. ..	85	29 Oct.*
Webster, E. A., Haverhill, U.S.A. (See United Shoe Machinery Company, No. 25199.)				
Wells, C. S., Leicester, Eng. (See United Shoe Machinery Company, No. 25316.)				
Whett, A., and another, Eastbrook, N.Z. Brick-making composition	25067	10 Oct. ..	4	14 Jan., 1909.*
Whett, A. J., and another, Wanganui, N.Z. Brick, &c., making composition	25358	17 Dec. ..	12	11 Feb., 1909.*
White, A. H., and another, Ballarat, Vic. Elevator and conveyor ..	25173	4 Nov. ..	7	28 Jan., 1909.
White, G. E., and others, Manaia, N.Z. Liquid-measuring, &c., apparatus	25319	9 Dec. ..	7	28 Jan., 1909.
White, T. H., Wellington, N.Z. (See Lamb and Todd, Limited, No. 25007.)				
Whitelaw, J., and another, Wellington, N.Z. Nipple-coupling for electric-wire pipes	25261	25 Nov.
Whitney, C. B., Hyde Park, U.S.A. Faucet	25170	4 Nov. ..	105	23 Dec.
Whyte, C. G. C., and another, Marrackville, N.S.W. Manifold copying-book	25228	18 Nov. ..	100	10 Dec.*
Wiggins, R. A., Christchurch, N.Z. Milking-machine	25177	4 Nov. ..	105	23 Dec.
Williams, R. B., Winton, N.Z. Broom	25016	5 Oct. ..	7	28 Jan., 1909.*
Wilson, J., Seville, Vic. Lever-winch	25246	17 Nov. ..	4	14 Jan., 1909.
Wilson, J., Auckland, N.Z. Cement road	25300	4 Dec.
Wilson, J., and another, Auckland, N.Z. Driving belt and pulley ..	25336	9 Dec. ..	12	11 Feb., 1909.*
Wilton, J. J., Masterton, N.Z. Attaching brake-wearing strips ..	23946	29 Jan. ..	105	23 Dec.
Wimmer, K. H., Holzhafen, Ger. Preparing coffee free from caffeine	25227	18 Nov. ..	105	23 Dec.
Winkley, E. E., Lynn, U.S.A. (See United Shoe Machinery Company, No. 25202.)				
Wood, E. T., Dunedin, N.Z. Dust, &c., excluder	25304	3 Dec. ..	105	23 Dec.*
Woodhead, C. H., Auckland, N.Z. Luminous sign	25169	3 Nov. ..	105	23 Dec.
Woolley, T., Wellington, N.Z. Match-boarding cramp	25243	20 Nov. ..	100	10 Dec.*
Worms, A. J., Auckland, N.Z. Surveying-peg	25055	8 Oct. ..	85	29 Oct.*
Wright, A. H., Dunedin, N.Z. Advertising-device	24967	19 Sept. ..	105	23 Dec.*
Wright, A. H., Dunedin, N.Z. Hat-pin	25047	10 Oct.
Wright, A. H., Dunedin, N.Z. Lock	25048	10 Oct. ..	85	29 Oct.*
Wright, A. H., Dunedin, N.Z. Guard for playing table-games ..	25049	10 Oct. ..	85	29 Oct.*
Wright, A. H., Dunedin, N.Z. Displaying telephone list	25050	10 Oct. ..	85	29 Oct.*
Wright, A. H., Dunedin, N.Z. Cooker	25051	10 Oct. ..	85	29 Oct.*
Wright, A. H., Dunedin, N.Z. Advertising, &c., display-sheet apparatus	25205	11 Nov. ..	94	26 Nov.*
Wright, A. H., Dunedin, N.Z. Advertising and educational display-sheet	25244	17 Nov. ..	100	10 Dec.*
Wright, A. H., Wellington, N.Z. Advertising and display sheet ..	25293	3 Dec.
Wright, A. H., Wellington, N.Z. Display-sheets for advertising ..	25334	8 Dec.
Wright, A. H., Dunedin, N.Z. Quick-heating apparatus	24309	24 April ..	85	29 Oct.*
Wright, A. H., Dunedin, N.Z. Advertising programme and fan ..	24348	30 April ..	85	29 Oct.*
Wright, A. H., and another, Wellington, N.Z. Means for supporting a camera, &c.	25282	1 Dec. ..	105	23 Dec.*
Wright, A. H., and others, Dunedin, N.Z. Lock	24999	29 Sept. ..	94	26 Nov.
Wright, S., Fairview, N.Z. Acetylene-generator	25014	5 Oct. ..	85	29 Oct.*
Wynyard, M. H., and another, Auckland, N.Z. Flax-treatment ..	23391	25 Aug. ..	75	1 Oct.
Wynyard, M. H., and another, Auckland, N.Z. Flax-catcher	25269	21 Nov. ..	4	14 Jan., 1909.
Zechmall, L., London, Eng. Inverted incandescent lamp	25283	12 May† ..	4	14 Jan., 1909.
Ziensen, F. C., Kluss, Ger. Cutting down water-plants	25233	18 Nov. ..	100	10 Dec.*

Alphabetical List of Inventions for Quarter ending 31st December, 1908.

THIS list includes also (1) applications lodged prior to but gazetted during the quarter, (2) complete specifications following provisional specifications accepted or gazetted during the quarter. Where the number and date of the Gazette are omitted, the application has not yet been accepted.

* Denotes a provisional specification.

† Denotes a prior date under section 98 of "The Patents, Designs, and Trade Marks Act, 1908."

Invention.	Name.	Application.		Gazette.	
		No.	Date.	No.	Date.
Acetylene-generator	S. Wright	25014	5 Oct. ..	85	29 Oct.*
Acetylene-generator	J. Lewis	25136	28 Oct. ..	100	10 Dec.
Account form. (See Letter and account form.)					
Advertising-device	A. H. Wright	24967	19 Sept. ..	105	23 Dec.*
Advertising-device, illuminated	G. M. Scott	25068	13 Oct.
Advertising and displaying sheet	A. H. Wright	25293	3 Dec.
Advertising and displaying sheet	A. H. Wright	25334	8 Dec.
Advertising and display-sheet apparatus	A. H. Wright	25205	11 Nov. ..	94	26 Nov.*
Advertising and display-sheet apparatus	A. H. Wright	25244	17 Nov. ..	100	10 Dec.*
Advertising programme and fan	A. H. Wright	24309	24 April ..	85	29 Oct.*
Advertising-sign. (See Luminous sign.)					
Aerated-water-apparatus plunger	F. Torrington	25123	21 Oct. ..	91	12 Nov.*
Aerator. (See Cooler and aerator.)					
Agricultural implement. (See Ridging, &c., implement seed-sower.)					
Air-carburettor. (See Carburettor.)					
Air-compressor, tidal	D. M. Brooks	25276	27 Nov. ..	105	23 Dec.*
Air-current turbine	J. de Irabien	25105	21 Oct. ..	105	23 Dec.
Air-retainer shield	W. J. Harvey	25350	15 Dec. ..	7	28 Jan., 1909.*
Air-spring	A. Sharp	25245	17 Nov. ..	4	14 Jan., 1909.
Air-tank for gas-manufacture	H. M. Keesing	25109	17 Oct. ..	91	12 Nov.
Alarm. (See Fire-alarm, Fire-damp alarm.)					
Altazimuth instrument	H. M. Levinge	23800	9 Dec., 1907	100	10 Dec.
Amusement apparatus	G. Musgrove	25264	25 Nov. ..	4	14 Jan., 1909.
Animal-trap	W. Beamish	25287	28 Nov. ..	105	23 Dec.*
Anti-rattler. (See Window-lock, &c.)					
Apple-grader	J. Lomas	25206	11 Nov. ..	100	10 Dec.*
Artificial eye	H. D. Schmidt	25281	27 Nov. ..	105	23 Dec.*
Asphalt-manufacture	J. W. Tong and A. W. Buckland	25017	5 Oct.
Bag-closing, &c., device	C. Karutz	25196	11 Nov. ..	105	23 Dec.
Bail. (See Cow-bail.)					
Bale-fastener	P. R. Hughes	25102	21 Oct. ..	94	26 Nov.
Bale-fastener	J. Fischer	25399	30 Dec.
Bale-grip	M. Burns	25088	15 Oct. ..	85	29 Oct.*
Bale-grip	D. S. Murray	25144	29 Oct. ..	100	10 Dec.
Baled-goods indicator	E. Moss and E. F. Dombrain	25157	27 Oct. ..	100	10 Dec.*
Baled-goods-temperature tester	J. D. McLaurin	25194	11 Nov. ..	100	10 Dec.*
Ballast-truck	F. W. May	25039	8 Oct. ..	85	29 Oct.*
Band. (See Roller-grip for band-gearing.)					
Basket. (See Waste-paper basket.)					
Battery. (See Electrolyte.)					
Bathroom steam-preventer. (See Steam-preventer, &c.)					
Bearing. (See Bevel-gear bearing.)					
Beating-bar. (See Flax-stripper beating-bar.)					
Bed. (See Cot.)					
Bedroom-furniture	P. H. Le Cornu	25119	23 Oct.
Bedstead	J. H., J. D., G. D., T. McL., and J. K. Muir	25308	9 Dec.
Bedstead-fastening device	G. T., T. M., and J. K. Muir	25378	23 Dec.
Bedstead-frame cramp	G. T., J. M., and J. K. Muir	25375	23 Dec.
Bedstead-joint	J. F. Stephenson	25147	29 Oct. ..	100	10 Dec.
Bedstead-mount	J. F. Stephenson	25175	4 Nov. ..	105	23 Dec.
Bee-hive	V. G. Oldham	24575	29 June ..	105	23 Dec.*
Bevel-gear bearing	De Dion Bouton (1907), Limited	25397	30 Dec. ..	12	11 Feb., 1909.
Bicycle. (See Cycle.)					
Billiard-cue tip	A. G. Clements	25324	10 Dec.
Billiard-cushion	R. Gray	25267	25 Nov. ..	7	28 Jan., 1909.
Billiard-table	F. W. Cullimore	23875	31 Dec., 1907	105	23 Dec.
Bin. (See Poultry- and stock-feeding bin.)					
Binder and file	F. Lock	25143	29 Oct. ..	100	10 Dec.
Billiard-table	T. Martyn	24776	10 Aug. ..	91	12 Nov.
Billiard-table game	R. Meek and O. Elliott	25098	19 Oct. ..	91	12 Nov.*
Bleaching-process	V. S. Aston	24048	21 Feb. ..	94	26 Nov.
Blind. (See Venetian blind.)					
Blind-bracket. (See Roller-blind bracket.)					
Block or tile	J. E. Owen	25222	16 Nov. ..	100	10 Dec.*

ALPHABETICAL LIST OF INVENTIONS—continued.

Invention.	Name.	Application.		Gazette.	
		No.	Date.	No.	Date.
Boiler for gas-stove	J. G. O'Brien	25124	20 Oct.
Book. (See Manifold-copying book.)					
Boot-abrading device	United Shoe Machinery Company	23714	14 Nov., 1907	72	17 Sept.
Boot-fastener	W. F. Dugins	25379	23 Dec.	4	14 Jan.*
Boot-heel-building machine	United Shoe Machinery Company	23899	8 Jan.	91	12 Nov.
Boot-heel-finishing machine	United Shoe Machinery Company	25318	9 Dec.	105	23 Dec.*
Boot-heel-nailing machine	United Shoe Machinery Company	25199	11 Nov.	94	26 Nov.*
Boot-heel plate	J. C. Hancock and A. B. Thomson	25235	18 Nov.
Boot-inseam-trimming machine	United Shoe Machinery Company	23811	11 Dec., 1907	105	23 Dec.
Boot-inseam-trimming machine	United Shoe Machinery Company	25203	11 Nov.	100	10 Dec.*
Boot-lasting machine	United Shoe Machinery Company	23915	15 Jan.	105	23 Dec.
Boot-lasting machine	United Shoe Machinery Company	23975	6 Feb.	100	10 Dec.
Boot-lasting machine	United Shoe Machinery Company	25204	11 Nov.	94	26 Nov.*
Boot-machine. (See Upper-conforming machine)					
Boot-machine	United Shoe Machinery Company	25314	9 Dec.
Boot-machine jack	United Shoe Machinery Company	25316	9 Dec.	4	14 Jan., 1909.*
Boot-machine-positioning apparatus	United Shoe Machinery Company	25315	9 Dec.	4	14 Jan., 1909.*
Boot-machine-work controller	United Shoe Machinery Company	25201	11 Nov.	94	26 Nov.*
Boot-sole machine	United Shoe Machinery Company	25317	9 Dec.	105	23 Dec.*
Boot-press. (See Press, &c.)					
Boot punching and eyeletting machine	United Shoe Machinery Company	23976	6 Feb.	100	10 Dec.
Boot-sole-levelling machine	United Shoe Machinery Company	25202	11 Nov.
Boot-stud	J. C. Hancock and A. B. Thompson	25235	18 Nov.
Bottle. (See Non-refillable bottle.)					
Bottle-stopper	H. Gentles and J. H. Dalton	25043	9 Oct.
Bottle-stopper. (See also Dispensing-stopper.)					
Bottle-washing-machine rack	H. C. Forest	25313	9 Dec.	7	28 Jan., 1909.
Bowls, distance-gauge for	P. Dow	25155	28 Oct.	94	26 Nov.
Box blank machine	E. Phillips	25178	4 Nov.	105	23 Dec.
Box. (See Container-box.)					
Bracket. (See Broom-holder, Roller-blind bracket, Spouting-bracket.)					
Brake. (See Tram-car brake, Vehicle-brake.)					
Brake apparatus	G. B. Bowles	25290	13 Dec., 1907†	7	28 Jan., 1909.
Brake-block wearing-strip	J. J. Wilton	23946	29 Jan.	105	23 Dec.
Brake-chain winding-mechanism	G. S. Ackley	25248	17 Nov.	4	14 Jan., 1909.
Branding-machine	W. J. Green	25286	2 Dec.	4	14 Jan., 1909.
Branding-machine	G. E. Cross	25357	15 Dec.	4	14 Jan., 1909.*
Bread-manufacture	G. Lunt	25311	9 Dec.	7	28 Jan., 1909.
Brick-making composition	R. R. Dunn and A. Whett	25067	10 Dec.	4	14 Jan., 1909.*
Brick-making composition	A. J. Whett and J. L. Thornton	25358	17 Dec.	12	11 Feb., 1909.*
Brick-manufacture	W. J. F. Hayter	25279	1 Dec.	105	23 Dec.*
Broom	R. B. Williams	25016	5 Oct.	7	28 Jan., 1909.*
Broom-holder	J. S. McPherson	25041	9 Oct.	85	29 Oct.
Buddle	H. T. Fletcher	25389	29 Dec.	4	14 Jan., 1909.*
Building-construction	H. J. Marks	25210	12 Nov.	4	14 Jan., 1909.
Bunk. (See Self-levelling cot, &c.)					
Butter-wrapper	J. T. Muir	25025	7 Oct.	85	29 Oct.*
Buttonhole-machine guide	M. Tillie	25154	27 Oct.	105	23 Dec.
Camera-support	A. Thornton and A. H. Wright	25282	1 Dec.	105	23 Dec.*
Candle-saver	J. Ford	25023	10 Oct.	85	29 Oct.*
Candlestick	C., J. H., and J. Laut, and T. Mitchell	25265	24 Nov.	105	23 Dec.*
Carburetted-air production	W. P. Rough	24242	9 April	91	12 Nov.
Carburetted-air production	M. F. Mieville	25285	2 Dec.	4	14 Jan., 1909.
Carburettor	H. Quertier	25130	27 Oct.	91	12 Nov.*
Carburettor	H. E. Smith	25346	15 Dec.	7	28 Jan., 1909.
Car. (See Observation-car.)					
Carriage-seat	C. R. H. Neich and L. Mossong	25131	27 Oct.	94	26 Nov.*
Cart-note case	W. C. Bray	25130	23 Oct.	100	10 Dec.
Case. (See Cart-note case.)					
Casein-manufacture	C. A. Baechler	25331	20 Mar.†	7	28 Jan., 1909.
Cash and credit register	National Cash Register Company	25117	22 Oct.	100	10 Dec.
Cash-register ribbon	F. H. Trevellian	25384	24 Dec.	4	14 Jan., 1909.*
Castings, removing sand from	A. Walker and M. W. Marriage	25391	24 Dec.	4	14 Jan., 1909.*
Cement burning apparatus	H. S. Spackman	25189	5 Nov.
Cement-manufacture	F. M. Allan	24606	1 July	100	10 Dec.
Cement-manufacture	W. J. Love and F. W. Skelsey	25031	3 Oct.	85	29 Oct.*
Cement-material, &c.	H. S. Spackman	25005	30 Sept.	91	12 Nov.
Cement road	J. Wilson	25300	4 Dec.
Centrifugal machine	W. G. Richardson	25085	16 Oct.	85	29 Oct.*
Centrifugal separator	G. S. Dahlgren	25347	16 Dec.	4	14 Jan., 1909.*
Centrifugal thickening, &c., machine	P. Browne	23829	16 Dec., 1907	100	10 Dec.
Chaff-cutter	H. S. Marks	25209	12 Nov.	105	23 Dec.
Chaff-cutter-knife securing	W. Gale and L. Gunther	23613	17 Oct., 1907	75	15 Oct.
Chain-winding mechanism. (See Brake-chain, &c.)					
Chair, folding-	D. Garner-Jones	23926	21 Jan.	105	23 Dec.

ALPHABETICAL LIST OF INVENTIONS—continued.

Invention.	Name.	Application.		Gazette.	
		No.	Date.	No.	Date.
Chair, folding-	W. Broadbent	25342	14 Dec.
Chair-leg cushion	W. J. S. Layton	25352	14 Dec.
Chamber pot. (See Slop-pail, &c.)					
Chart. (See Dresscutting-chart.)					
Cheese-case manufacture	J. Qusted	25354	4 Dec. ..	4	14 Jan.*
Cheese-vat	J. H. McLeod	25187	7 Nov. ..	100	10 Dec.*
Chimney	F. Tonks	23793	5 Dec., 1907	105	23 Dec.
Cigarette	D. Laing	25065	9 Oct. ..	85	29 Oct.*
Cigarette-holder	W. Levinson	25292	2 Dec. ..	4	14 Jan., 1909.*
Cinder-sifter	T. Ballinger and Co., Limited	24904	10 Sept. ..	94	26 Nov.
Cistern. (See Flushing-cistern.)					
Clinker-manufacture. (See Cement-manufacture.)					
Closet	J. Syvret	24903	10 Sept. ..	91	12 Nov.*
Closet	R. S. Newcomb	25362	21 Dec. ..	4	14 Jan., 1909.
Closet. (See also Earth-closet, Flushing mechanism, Water-closet seat.)					
Closet-pan	H. F. Cameron	25385	24 Dec. ..	4	14 Jan.*
Closet-ventilator	J. Kannuliuk	25211	12 Nov.
Clothes, transferring from washing-boiler	J. Ross	25212	12 Nov. ..	105	23 Dec.
Clutch. (See Friction-clutch.)					
Coal, &c., distillation	T. Parker	25306	9 Dec. ..	7	28 Jan., 1909.
Cocksfoot-thresher, &c.	H. C. Thomsen	25002	2 Oct. ..	85	29 Oct.*
Coffee, preparing	K. H. Wimmer	25227	18 Nov. ..	105	23 Dec.
Colander	J. C. Oliver	25093	20 Oct. ..	91	12 Nov.*
Combination bedroom-furniture	P. H. Le Cornu	25119	23 Oct.
Composing-machine	Monotype Machine (Colonial Patents) Syndicate, Limited	25368	21 Dec. ..	7	28 Jan., 1909.
Composing-machine record-strip controller	Monotype Machine (Colonial Patents) Syndicate, Limited	25145	29 Oct. ..	100	10 Dec.
Concentrator. (See Ore-concentrator.)					
Concrete. (See Reinforced concrete.)					
Concrete-mixer	F. D. McLeod	25111	19 Oct. ..	100	10 Dec.*
Condenser	J. Sweeney and J. Kidd	25114	22 Oct. ..	91	12 Nov.*
Conductor. (See Electric conductor.)					
Container-box, &c.	J. T. Ferguson and J. Davidson	25253	23 Nov. ..	4	14 Jan., 1909.
Conveyor. (See Elevator and conveyor.)					
Cooker	A. H. Wright	25051	10 Oct. ..	85	29 Oct.*
Cooking-apparatus. (See Steam-cooking apparatus.)					
Cooler	J. Lawrence	25364	21 Dec. ..	4	14 Jan., 1909.*
Cooler. (See Milk cooler and aerator.)					
Cooling. (See Meat-cooling.)					
Cool-storage chamber	J. Macmeikan	25171	4 Nov. ..	94	26 Nov.*
Cool-storage safe	F. O. von Rome and G. Hutchinson	25388	24 Dec. ..	4	14 Jan., 1909.*
Copying-book. (See Manifold copying-book.)					
Corrosion-preventing solution	F. D. McLeod	25111	19 Oct. ..	100	10 Dec.*
Cot	E. Dahl	25087	19 Oct. ..	85	29 Oct.*
Cot and bunk, self-levelling	Anne of Lowenstein-Wertheim	25174	4 Nov. ..	105	23 Dec.
Coupling. (See Hose-coupling, Nipple-coupling for electric wire, &c., Post-coupling, Rolling-stock coupling.)					
Cover. (See Haystack-cover, Saddle-cover.)					
Cow-bail	C. R. Skipage	25249	20 Nov. ..	100	10 Dec.*
Cramp. (See Picture-frame cramp, Matchboarding cramp.)					
Crate. (See Rabbit-crate.)					
Crushing-mill	W. H. Fletcher	24230	8 April ..	75	1 Oct.
Cuff-protector	C. F. M. C. Erhardt	24142	13 Mar. ..	85	29 Oct.
Cultivator, spring-tine	J. Gray	25185	4 Nov. ..	94	26 Nov.
Current and tide motor	G. E. Cross	25322	9 Dec. ..	4	14 Jan., 1909.*
Current-motor	W. Carr and A. E. Spooner	25333	8 Dec. ..	7	28 Jan., 1909.
Current-turbine-power transmitter	W. Carr and A. Spooner	25138	26 Oct. ..	94	26 Nov.*
Curtain-displaying apparatus	Lamb and Todd, Limited	25007	2 Oct. ..	105	23 Dec.
Curtain-raiser. (See Venetian blind, &c.)					
Cushion. (See Billiard-cushion.)					
Cutter. (See Turnip-cutter, Chaff and root cutter, Water-plant cutter.)					
Cycle handle-bar	W. C. Mead	25021	6 Oct. ..	85	29 Oct.*
Cycle-horn, &c., actuator	E. Bingham	25059	13 Oct. ..	85	29 Oct.*
Cycle mud-guard	R. A. Fonseca	25278	27 Nov. ..	105	23 Dec.*
Cycle-gear. (See Pedal-gear.)					
Cycle-pump tube	H. C. Franklin	25365	21 Dec.
Cycle-stand	J. Marshall Thomas	25299	2 Dec. ..	4	14 Jan., 1909.*
Deflector-valve. (See Valve.)					
Deliverer. (See Mail-bag deliverer, &c.)					
Developer. (See Electric developer.)					
Deviation-recorder. (See Ship's-course-deviation recorder.)					

ALPHABETICAL LIST OF INVENTIONS—continued.

Invention.	Name.	Application.		Gazette.	
		No.	Date.	No.	Date.
Die. (See Ridge-capping die.)					
Differential gear	H. A. H. Salomo	25271	26 Nov. ..	4	14 Jan., 1908.
Disinfecter. (See Telephone-disinfecter.)					
Dispensing-stopper	H. G. Scott	25037	8 Oct. ..	85	29 Oct.
Distance-gauge for bowls	P. Dow	25155	28 Oct. ..	94	26 Nov.*
Docking-knife. (See Searing, &c., knife.)					
Dogs, protecting shop-fronts from	R. Gilkes	25029	7 Oct. ..	85	29 Oct.*
Door-check	H. Cockerill	24563	25 June ..	75	1 Oct.
Door-holder	R. N. Adams	25275	25 Nov. ..	105	23 Dec.*
Draught, &c., excluder	E. T. Wood	25304	3 Dec. ..	105	23 Dec.*
Draught-preventer	H. Cockerill	24563	25 June ..	75	1 Oct.
Draw-off pipe	F. Stubbs	25207	10 Nov. ..	94	26 Nov.*
Dray-brake. (See Vehicle-brake.)					
Dredge-ladder roller	W. M. Orr	24011	15 Feb. ..	4	14 Jan., 1909.
Dresscutting-chart	J. T. Hunter	23621	18 Oct., 1907	85	29 Oct.
Drill	H. Bruce	25400	30 Dec. ..	7	28 Jan., 1909.*
Drill. (See Rock-drill, Grain-drill.)					
Drill-socket	F. W. Robinson	25172	4 Nov. ..		
Driving belt and pulley	J. Wilson and J. Hilford	25336	9 Dec. ..	12	11 Feb., 1909.*
Driving-gear. (See Motor-cycle, &c., gear.)					
Driving-gear	E. W. Coleman	25133	28 Oct. ..	94	26 Nov.*
Dust-collector. (See Tramways, dust-collector for.)					
Dust, &c., excluder	E. T. Wood	25304	3 Dec. ..	105	23 Dec.*
Ear. (See Electric-conductor splicing-ear.)					
Earth-closet	J. Baird	25044	7 Oct. ..	85	29 Oct.*
Educational display-sheet. (See Advertising, &c.)					
Egg-carrier	H. R. Radford	23851	18 Dec., 1907	91	12 Nov.
Ejector-governor	W. H. Blackham	25310	9 Dec. ..	7	28 Jan., 1909.
Electric developer	J. F. Bailey	25013	1 Oct. ..	91	12 Nov.*
Electric-conductor splicing-ear	J. C. Russell and A. F. Lord	25160	31 Oct. ..	94	26 Nov.*
Electric-tramway-section insulator	J. C. Russell and A. F. Lord	25165	2 Nov. ..	94	26 Nov.*
Electrical plug	R. Cairns	23911	11 Jan. ..	105	23 Dec.
Electrical vibrations, producing. (See Vibrations, &c.)					
Electrode for welding, &c.	W. E. Hughes	24273	14 April ..	79	15 Oct.
Electrolyte for battery	W. J. L. Sandy	24982	25 Oct. ..	100	10 Dec.
Elevator. (See Water-elevator, Straw-elevator.)					
Elevator and conveyor	J. H. Cooper and A. H. White	25173	4 Nov. ..	7	28 Jan., 1909.
Enclosure-indicator	H. A. Fox	25181	5 Nov. ..	94	26 Nov.*
Engine. (See Explosive engine, Rotary engine, Turbine, &c.)					
Explosion-engine	J. E. C. Brown	25046	9 Oct. ..	85	29 Oct.*
Explosive	W. H. Palmer	24371	8 May ..	94	26 Nov.
Extension-table	G. Hyde	25192	10 Nov. ..		
Eye. (See Artificial eye.)					
Eyeling-machine. (See Boot-punching, &c., machine.)					
Fan. (See Advertising programme and fan, Motor, &c., fan.)					
Fan	R. Paladini	25054	12 Oct. ..	85	29 Oct.*
Fastener. (See Bale-fastener, Fencing-wire fastener, Sack-fastener, Window-fastener.)					
Faucet. (See Tap.)					
Feed-screw. (See Rock-drill feed-screw.)					
Fence. (See Saw-fence.)					
Fencing-batten	A. I. Carr	24862	28 Aug. ..	100	10 Dec.
Fencing-wire fastener	R. J. Waters	24996	1 Oct. ..	85	29 Oct.*
Fencing-wire fastener	E. P. S. McPharlin	25023	6 Oct. ..	85	29 Oct.
Fencing-wire fastener	T. Drummond	25303	3 Dec. ..	7	28 Jan., 1909.*
Fender	T. C. Smart	23930	23 Jan. ..	100	10 Dec.
Ferro-concrete. (See Reinforced concrete.)					
Fertiliser-distributor. (See Manure, &c., distributor.)					
Fibre-bleaching. (See Bleaching process.)					
Fibre-cleaning apparatus	J. K. Toles	25149	29 Oct. ..	105	23 Dec.
Fibre-conveyor, &c.	J. K. Toles	25150	29 Oct. ..	105	23 Dec.
Fibre-preparing apparatus	R. Millis	23520	25 Sept., 1907	94	26 Nov.
Fibre-preparing, &c., apparatus	J. K. Toles	25151	29 Oct. ..	7	28 Jan., 1909.
Fibre, preparing plastic material from. (See Plastic material, &c.)					
File. (See Binder and file.)					
Filter	W. L. Imlay	25112	22 Oct. ..	100	10 Dec.
Filtering-apparatus	A. J. Arbuckle and A. Osborne	25180	4 Nov. ..	105	23 Dec.
Filtering-apparatus, rotary	A. J. Arbuckle and A. Osborne	25128	26 Oct. ..	100	10 Dec.
Finger-shield	W. H. Trengrove and H. E. Dovey	25125	26 Oct. ..		

ALPHABETICAL LIST OF INVENTIONS—continued.

Invention.	Name.	Application.		Gazette.	
		No.	Date.	No.	Date.
Fire-alarm	F. Castle	24624	6 July ..	91	12 Nov.
Fire-alarm	F. Castle	25058	13 Oct. ..	91	12 Nov.*
Fire-alarm	E. Moss	25084	15 Oct. ..	91	12 Nov.*
Fire-alarm	E. H. Kirkby	25268	21 Nov. ..	4	14 Jan., 1909.
Fire-alarm	M. Blair, sen., and W. J. Blair ..	25294	3 Dec.
Fire-damp alarm for mines, &c.	M. and W. J. Blair	25294	3 Dec. ..	4	14 Jan., 1909.*
Fire-extinguisher	B. Locking	25250	21 Nov. ..	4	14 Jan., 1909.
Fire-extinguisher	S. Ewing	25382	24 Dec. ..	7	28 Jan., 1909.
Flax-bleaching process	R. H. Gulleford and J. G. Harbottle	25027	7 Oct.
Flax-catcher	C. Suttie and M. H. Wynyard ..	25269	21 Nov. ..	4	14 Jan., 1909.
Flax-cutting tool	G. Walker	25162	29 Oct.
Flax preparation	L. M. M. Monteath	25073	13 Oct. ..	85	29 Oct.*
Flax-scatcher	J. M. Collins, J. Low, and A. Burges	25095	20 Oct.
Flax-stripper	H. A. Nicholson	25387	24 Dec. ..	7	28 Jan., 1909.
Flax-stripper heating-bar	H. A. Nicholson	25386	24 Dec.
Flax-treating apparatus	C. Suttie and M. H. Wynyard ..	23391	25 Aug. ..	75	1 Oct.
Flax-treating apparatus	W. Seifert	25395	29 Dec. ..	4	14 Jan., 1909.*
Flax-treating apparatus	J. M. Collins, J. Low, and A. Burges	25094	20 Oct.
Flax-treating apparatus	J. M. Collins, J. Low, and A. Burges	25096	20 Oct.
Flax-treatment	W. Seifert	25038	8 Oct. ..	85	29 Oct.*
Flooring, &c., composition	H. Butterworth	25217	10 Nov. ..	4	14 Jan., 1909.*
Flour milling and conditioning	Henry Simon, Limited.. .. .	25110	20 Oct. ..	105	23 Dec.
Flushing-cistern	W. Beamish	25288	28 Nov. ..	4	14 Jan., 1909.*
Flushing mechanism	J. O. Suckling	25137	28 Oct. ..	94	26 Nov.*
Folding-chair. (See Chair.)					
Food. (See Predigested food.)					
Force-pump.. .. .	H. R. Smith	25006	2 Oct. ..	85	29 Oct.*
Force-pump.. .. .	E. L. Clark	25219	10 Nov. ..	100	10 Dec.*
Frame-making. (See Picture-frame cramp.)					
Frame. (See Metal coupling for.)					
Friction clutch	D. and G. Gilberd	25337	17 Dec. ..	7	28 Jan., 1909.
Friction winch	A. W. Collett	25036	8 Oct. ..	85	29 Oct.
Fuel	T. Parker	23027	22 June, 1906†	75	1 Oct.
Fuel-economiser. (See Smoke-consumer, &c.)					
Fumigator	F. S. Greer	24712	9 April† ..	94	26 Nov.
Fumigator, rabbit-burrow	J. H. Grant	25030	7 Oct.
Fumigator, rabbit-burrow	W. T. Hitchen	25237	19 Nov. ..	100	10 Dec.*
Fumigator, vermin-destroying	B. Locking	25250	26 Nov. ..	4	14 Jan., 1909.
Furnace. (See Metallurgical furnace.)					
Furniture. (See Bedroom-furniture.)					
Fusible plug	R. Walker	25254	23 Nov. ..	100	10 Dec.*
Game. (See Billiard-table game, Table-game apparatus, Table-game guard.)					
Gas apparatus. (See Hydrocarbon-gas apparatus.)					
Gas cut-off and alarm	H. H. Hesketh	25338	12 Dec. ..	12	11 Feb., 1909.
Gas-engine. (See Internal-combustion engine.)					
Gas generator and purifier	E. Temple	25176	4 Nov. ..	105	23 Dec.
Gas-lamp. (See Incandescent-gas lamp.)					
Gas lighter and extinguisher	Nightingall Gas Control Company, Limited	25390	23 Dec. ..	12	11 Feb., 1909.
Gas-manufacture. (See Air-tank for gas-manufacture.)					
Gas-meter, statement-delivering apparatus	R. W. Gallagher	25255	23 Nov. ..	4	14 Jan., 1909.
Gas, rabbit-destroying by. (See Fumigator, &c.)					
Gas-producer. (See Hydrocarbon-gas producer.)					
Gas-purifier. (See Gas generator and purifier.)					
Gas-stove	J. D. Jackson, J. T. Metters, and C. H. Metters	25132	24 Oct. ..	94	26 Nov.
Gas-stove boiler	J. G. O'Brien.. .. .	25124	20 Oct.
Gate-latch	J. Mason	25129	27 Oct. ..	94	26 Nov.
Gear. (See Differential gear, Driving-gear, Motor-cycle gear, Variable gear.)					
Gearing. (See Roller-grip for band-gearing, Toothed gearing.)					
Generator. (See Acetylene-generator.)					
Glass, &c., cleaner	J. Dixon and J. C. F. Lawrence ..	23722	13 Nov., 1907	79	15 Oct.
Glass, &c., cleaner	P. V. Alkemade	24820	20 Aug. ..	100	10 Dec.
Glass, &c., cleaner	G. H. Motley	25208	11 Nov. ..	100	10 Dec.*
Glass, &c., cleaner	J. Pomeroy	25353	14 Dec. ..	4	14 Jan.*
Glazing-bar	R. S. B. Low	25216	12 Nov. ..	105	23 Dec.
Go-cart-seat attachment	D. P. Hendriksen	25363	21 Dec. ..	4	14 Jan., 1909.*

ALPHABETICAL LIST OF INVENTIONS—continued.

Invention.	Name.	Application.		Gazette.	
		No.	Date.	No.	Date.
Gold-extraction. (See Slimes-treatment, &c.)					
Gold-saving mat	T. Hall and F. Elvines	25152	30 Oct. ..	91	12 Nov.*
Gold-saving table	R. Sainsbury, G. Jones, and W. Jenkins	25139	29 Oct. ..	91	12 Nov.*
Governor. (See Ejector-governor.)					
Grader. (See Apple-grader.)					
Grain-drill	F. Cooper	24938	16 Sept. ..	91	12 Nov.
Grip. (See Bale-grip, Roller-grip, &c., Scythe-handle grip, Ticket-holder, &c.)					
Gauge. (See Distance-gauge.)					
Guard. (See Table-game guard.)					
Guide. (See Buttonhole, &c., guide.)					
Gun-discharge silencer	Maxim Silent Firearms Company	25373	23 Dec. ..	7	28 Jan., 1909.
Hair-pin	C., C. E., and C. M. Thomson ..	25091	17 Oct. ..	4	14 Jan., 1909.
Handle-bar. (See Cycle handle-bar.)					
Harrow. (See Tine harrow.)					
Hat-pin	A. H. Wright	25047	10 Oct.
Haystack, &c., covering	T. L. Mullally	24135	13 March ..	75	1 Oct.
Heating-apparatus. (See Tool-heating apparatus.)					
Heating-apparatus	A. H. Wright	24309	24 April ..	85	29 Oct.*
Heat-tester. (See Baled-goods indicator.)					
Heel. (See Boot-heel.)					
Hemp-washing, &c.	W. G. Richardson	25224	13 Nov. ..	100	10 Dec.*
Holder. (See Door-holder, Ticket-holder.)					
Horse-collar	J. G. Le Couteur	24740	30 July ..	100	10 Dec.
Hop-picker	E. Clemens Horst	23717	14 Nov., 1907	91	12 Nov.
Hop-stringer	C. V. Nordberg	24825	18 Aug. ..	91	12 Nov.
Horn. (See Cycle-horn, &c., actuator, Talking-machine horn.)					
Hose-coupling	F. J. Brown and H. Burke	25252	21 Nov. ..	100	10 Dec.*
Hot-water system	F. Stubbs	25097	16 Oct. ..	91	12 Nov.*
Hot-water system	F. Stubbs	25392	23 Dec. ..	4	14 Jan., 1909.*
Hydraulic machine and packing	P. Brandt	25198	11 Nov.
Hydro-carbon-gas producer	J. A. Paterson	25042	9 Oct. ..	85	29 Oct.*
Hydro-carbon-gas producer	J. A. Paterson	25164	2 Nov. ..	94	26 Nov.*
Hydro-carbon-oil treatment	Patent Hydrocarbon, Limited ..	25398	31 Dec. ..	12	11 Feb., 1909.
Illuminated advertising-device	G. M. Scott	25068	13 Oct.
Illusion apparatus and observation-car ..	G. Richardson	23937	23 Jan. ..	85	29 Jan.
Incandescent-gas lamp	L. Zechall	25283	12 May† ..	4	14 Jan, 1909.
Indiarubber. (See Rubber.)					
Indicator. (See Mail-matter indicator.)					
Ink-manufacture	A. E. Johnson and W. B. Bailey	25159	31 Oct. ..	94	26 Nov.*
Inseam-trimming machine. (See Boot-inseam, &c., machine.)					
Insulator. (See Electric tramway, &c., insulator.)					
Internal-combustion engine	W. Trengrove	25215	12 Nov. ..	100	10 Dec.*
Inverted gas-lamp. (See Incandescent-gas lamp.)					
Iron and steel manufacture and iron-ore reduction	M. Moore and T. J. Heskett ..	24196	31 Mar. ..	75	1 Oct.
Ironing-machine. (See Pressing, &c., machine.)					
Jack. (See Lifting-jack.)					
Jig-saw	D. Fraser	25326	11 Dec. ..	4	14 Jan., 1909.*
Joint. (See Bedstead-joint.)					
Kerosene-pump	A. Jarrett	25033	7 Oct. ..	85	29 Oct.
Kerosene-tin, &c.	T. Gager	25009	2 Oct. ..	85	29 Oct.*
Kettle	M. Siddall	25028	7 Oct.
Kettle	J. B. Coventry	25239	19 Nov.
Knee-rest. (See Milk-bucket knee-rest.)					
Knife. (See Chaff-cutter knife, &c., Searing and docking knife.)					
Label, attaching to fabric	W. V. Page	25153	26 Oct. ..	94	26 Nov.*
Ladder. (See Step-ladder.)					
Ladder, platform-bracket for	W. J. Roebuck and J. D. T. Paulin	23986	5 Feb. ..	105	23 Dec.
Ladder-roller. (See Dredge-ladder roller.)					
Lamp-globe attachment	A. Jarrett	23550	3 Oct., 1907	105	23 Dec.
Lamp-pillar	E. W. Hursthouse	25107	21 Oct.
Lamp-ventilator, &c.	W. Nelson	25034	3 Oct. ..	91	12 Nov.*
Latch. (See Gate-latch.)					
Leather-skiving machine	United Shoe Machinery Company	25305	9 Dec. ..	105	23 Dec.*
Letter and account form	G. Finn	24997	1 Oct.
Lever-winch	J. Wilson	25246	17 Nov. ..	4	14 Jan., 1909.
Lifting-jack	A. McMaster	23600	16 Oct. ..	79	15 Oct.
Lime-burning kiln	F. Oakden	25122	21 Oct. ..	100	10 Dec.

ALPHABETICAL LIST OF INVENTIONS—continued.

Invention.	Name.	Application.		Gazette.	
		No.	Date.	No.	Date.
Lime-burning process	F. Oakden	25121	21 Oct. ..	100	10 Dec.
Linotype. (See Composing-machine.)					
Liquid-measuring, &c., apparatus ..	G. E. White, R. P. Baker, and F. J. Jackson	25319	9 Dec. ..	7	28 Jan., 1909.
Lock. (See Railway-point, &c., lock, Mortise-lock.)					
Lock	A. H. Wright	25048	10 Oct. ..	85	29 Oct.*
Lock	A. H. Wright, W. Morton, and J. Hercus	24999	29 Sept. ..	94	26 Nov.
Lubricant	R. F. Lean	25380	24 Dec. ..	7	28 Jan., 1909.
Lubricator. (See Wheel-lubricator.)					
Luminous sign	C. H. Woodhead	25169	3 Nov. ..	105	23 Dec.
Mail-bag receiver and deliverer ..	J. McMullen	25106	21 Oct. ..	85	29 Oct.*
Mail-matter indicator	H. A. Fox	25181	5 Nov.
Mail receiving and delivering apparatus	J. A. Harriss	25112	20 Oct.
Manifold copying-book	C. G. C. Whyte and A. Rau ..	25228	18 Nov. ..	100	10 Dec.*
Manure and fertiliser distributor ..	R. A. Large	25240	19 Nov.
Mat. (See Metal-saving mat.)					
Match-boarding cramp	T. Woolley	25243	20 Nov. ..	100	10 Dec.*
Match-boarding cramp	J. Anderson, R. H. Free, and W. H. Hampton	23923	20 Jan. ..	105	23 Dec.
Mattress. (See Spring mattress.)					
Measuring predetermined quantities. (See Liquid-measuring, &c.)					
Meat-cooling process	J. Macmeikan	25171	4 Nov. ..	94	26 Nov.*
Meat-safe. (See Cool-storage safe.)					
Meat-slicing machine.. ..	H. Thomas	25349	12 Dec. ..	7	28 Jan., 1909.
Mechanical toy	D. A. Chinnery-Brown.. ..	25280	1 Dec.
Mechanical vibrations. (See Vibrations, &c.)					
Medicine	C. B. Massey	25360	18 Dec.
Metal coupling for frame	B. H. Nees	25321	7 Dec. ..	7	28 Jan., 1909.
Metal-extraction	W. T. Smith	23758	25 Nov., 1907	91	12 Nov.
Metal-extraction	J. C. Koller	25127	26 Oct. ..	91	12 Nov.*
Metal-extraction	W. M. Imlay	25345	15 Dec. ..	7	28 Jan., 1909.
Metal-ridge-capping die. (See Sheet-metal, &c., die.)					
Metal-saving mat	T. Hall and F. Elvines	25152	30 Oct. ..	91	12 Nov.*
Metallurgical furnace.. ..	S. D. McMiken	25118	20 Oct. ..	94	26 Nov.*
Meter. (See Gas-meter.)					
Milk agitator or stirrer	W. J. McDonald and J. Hopkirk	25393	29 Dec. ..	4	14 Jan., 1909.*
Milk-bucket knee-rest	D. W. Dike	24025	17 Feb. ..	94	26 Nov.
Milk-cooler support	M. Herrick	24998	1 Oct. ..	85	29 Oct.
Milk cooler and aerator	M. Clayton and F. Hitchcock ..	25260	24 Nov.
Milk cooler, aerator, and strainer ..	C. Kendrick	24912	8 Sept. ..	100	10 Dec.
Milk, preparing, for freezing	T. K. Walton.. ..	25191	5 Nov. ..	105	23 Dec.
Milk-weigher	R. R. Dowden and J. S. Clark ..	25182	2 Nov. ..	94	26 Nov.*
Milking-machine	R. A. Wiggins	25177	4 Nov. ..	105	23 Dec.
Milking-machine	K. I. Linstrom	25273	11 Dec., 1907†
Milking-machine pump	A. W. Reid	25236	18 Nov. ..	100	10 Dec.*
Milking-machine teat-cup	J. Blake	24034	21 Feb. ..	105	23 Dec.
Milking-machine teat-cup	C. E. Hodge and S. P. Andersen	25184	6 Nov. ..	100	10 Dec.*
Milking-machine teat-cup	D. A. Poole	25214	12 Nov. ..	100	10 Dec.*
Milking-shed, sanitary appliance for ..	F. E. Ross	25295	30 Nov. ..	12	11 Feb., 1909.*
Mill. (See Roller-mill, &c.)					
Milling. (See Flour-milling.)					
Mincing-machine. (See Meat-slicing machine.)					
Mine-alarm. (See Fire-damp alarm.)					
Moisture-tester. (See Baled-goods indicator.)					
Mortise-lock.. ..	R. J. Smith	24667	14 July ..	79	15 Oct.
Motor. (See Rotary motor, &c.)					
Motor-car, life-saving catcher for ..	T. W. Mayson and J. Edgar ..	24779	7 Aug. ..	105	23 Dec.
Motor-cycle driving-gear	W. Borlase	25242	16 Nov. ..	100	10 Dec.*
Motor-vehicle fan	De Dion Bouton (1907), Limited	25284	2 Dec. ..	4	14 Jan., 1909.
Mud-guard. (See Cycle mud-guard.)					
Music-leaf turner	W. R. Lyttleton	24897	8 Sept. ..	4	14 Jan., 1909.
Nail-punch	A. W. B. Corry and C. H. Alley	25330	9 Dec. ..	4	14 Jan., 1909.*
Nipple-coupling for electric wire, pipes, &c.	A. E. Jones and J. Whitelaw ..	25261	25 Nov.
Nitrogen-oxides, production of ..	I. Moscicki	25148	29 Oct. ..	105	23 Dec.
Noiseless gun. (See Gun-discharge silencer.)					
Non-refillable bottle	T. W. Edlin	25052	10 Oct.
Non-refillable bottle	A. S. Tange	25301	4 Dec. ..	7	28 Jan., 1909.*
Non-refillable bottle	F. M. Norris	25340	14 Dec.
Observation-car. (See Illusion apparatus.)					
Offal-treatment	J. W. Stamp and J. W. Powell ..	25396	30 Dec. ..	12	11 Feb., 1909.
Oil-can	J. A. Rollo	24995	1 Oct.
Optical toy	A. Deperdussin	25232	18 Nov. ..	4	14 Jan., 1909.

ALPHABETICAL LIST OF INVENTIONS—*continued.*

Invention.	Name.	Application.		Gazette.	
		No.	Date.	No.	Date.
Ore-concentrator	C. W. Eccleston	25081	15 Oct.
Ore-reduction. (See Iron-ore reduction.)					
Ore-treatment	J. C. Koller	25127	26 Oct. ..	91	12 Nov.*
Ornamental mount. (See Bedstead-mount.)					
Oven, insulated	C. F. F. Allan	24877	2 Sept. ..	94	26 Nov.
Oven-shelf	F. Owen	25225	17 Sept. ..	94	26 Nov.*
Oxides. (See Nitrogen-oxides.)					
Packing. (See Hydraulic machine and packing.)					
Parcel-carrying strap	H. B. Chapman	23720	12 Nov., 1907	94	26 Nov.
Partition, &c.	J. Mitchell	25057	12 Oct. ..	91	12 Nov.
Partition, &c.	J. Mitchell	25070	13 Oct. ..	91	12 Nov.
Pasteurization process	P. A. Jones	25247	17 Nov. ..	4	14 Jan., 1909.
Pawl and ratchet mechanism	B. and W. Trewhella	23063	9 Oct. ..	91	12 Nov.
Pedal-driving gear	A. J. Bond	25366	21 Dec.
Peeler. (See Potato, &c., peeler.)					
Peg. (See Surveying-peg, Tent-peg.)					
Perambulator-strap	J. McHarg	25213	12 Nov.
Phonograph. (See Talking-machine horn.)					
Platform. (See Ladder, platform-bracket for.)					
Plough-share	J. F. C. Hodges and G. W. Griffiths	25291	3 Dec.
Picture-frame cramp	T. McNabb	25035	8 Oct. ..	85	29 Oct.*
Pin	A. Edmond and J. Hercus	25223	13 Nov. ..	7	28 Jan., 1909.
Pinion-gear. (See Toothed gearing.)					
Pin. (See Hat-pin, Hair-pin.)					
Pipe. (See Draw-off pipe, Tobacco-pipe.)					
Pipe-closing valve	F. J. Brown and H. Burke	25251	21 Nov. ..	100	10 Dec.*
Pipe-coupling. (See Nipple-coupling, &c.)					
Plant. (See Water-plant cutter.)					
Plaster	J. Mitchell	25071	13 Oct. ..	94	26 Nov.
Plaster	J. Phelps	25226	14 Nov. ..	100	10 Dec.*
Plastic composition, &c.	H. S. Spackman Engineering Company	24540	19 June ..	4	14 Jan., 1909.
Plastic material production	W. F. Lietz and D. O'Connor	25323	10 Dec. ..	4	14 Jan., 1909.*
Ploughshare	J. F. C. Hodges and G. W. Griffiths	25291	3 Dec. ..	7	28 Jan., 1909.
Plug. (See Electrical plug, Fusible plug.)					
Plunger. (See Aerated-water apparatus plunger.)					
Pneumatic machine and packing	P. Brandt	25198	11 Nov.
Point. (See Railway-point.)					
Postage-stamps vending. (See Stamp-vending machine.)					
Potato-peeler	T. Rice	25134	28 Oct.
Pot-cleaner	A. L. J. Tait	23798	5 Dec., 1907	94	26 Nov.
Post-coupling	W. J. Roebuck	25032	5 Oct. ..	91	12 Nov.*
Pottery. (See Brick and Pottery, &c.)					
Poultry and stock-feeding bin	J. A. Powrie	25082	15 Oct. ..	12	11 Feb., 1909.
Power-transmitter	J. M. Madden	25394	29 Dec. ..	4	14 Jan.*
Power-transmitter. (See Current-turbine power-transmitter.)					
Predigested food	W. Fowles	25026	7 Oct. ..	91	12 Nov.
Preservative tablet. (See Sterilising, &c., tablet.)					
Press	United Shoe Machinery Company	24104	21 Oct. ..	85	29 Oct.*
Press, resurfacing bed of	United Shoe Machinery Company	25200	11 Nov. ..	94	26 Nov.*
Pressing and ironing machine	C. H. R. Paul	25022	6 Oct. ..	85	29 Oct.
Pressure-bearing. (See Bevel-gear bearing.)					
Printing-process	H. C. Mitchell	23079	3 July, 1907	75	1 Oct.
Privy. (See Closet.)					
Propeller	H. H. Adams	24946	17 Sept. ..	91	12 Nov.*
Propeller	F. Clennell and F. W. Thorp	24952	21 Sept. ..	100	10 Dec.
Propeller, preventing racing. (See Racing of propeller, preventing.)					
Programme. (See Advertising - programme, &c.)					
Pulley. (See Driving-belt and pulley.)					
Pulveriser. (See Crushing-mill.)					
Pump. (See Force-pump, Kerosene-pump, Milking-machine pump, Rotary motor and pump, Rotary pump, Suction and force pump, Tire-pump.)					
Punch. (See Nail-punch.)					
Purifier. (See Gas-generator, &c.)					
Rabbit-burrow fumigator. (See Fumigator.)					
Rabbit-crate	W. Burrell	25098	19 Oct. ..	94	26 Nov.*
Rabble for furnace	T. Edwards	25101	21 Oct. ..	94	26 Nov.

ALPHABETICAL LIST OF INVENTIONS—continued.

Invention.	Name.	Application.		Gazette.	
		No.	Date.	No.	Date.
Race-starting machine	W. Talbut	25302	5 Dec. ..	4	14 Jan., 1909.*
Race-starting machine	H. Reynolds	25339	12 Dec. ..	4	14 Jan., 1909.*
Racing of engines, preventing ..	P. S. Irwin	25040	6 Oct. ..	100	10 Dec.
Racing of propeller, preventing ..	C. S. Beilby	25221	6 Nov. ..	105	23 Dec.
Rack. (See Bottle-washing-machine rack.)					
Rail-bonding process	W. E. Hughes	24271	14 April ..	79	15 Oct.
Rail-bonding apparatus	W. E. Hughes	24272	14 April ..	79	15 Oct.
Railway-carriage sleeping-bunk ..	W. Maddison	23903	8 Jan. ..	100	10 Dec.
Railway-point, &c., lock	W. Thwaites	25011	1 Oct. ..	85	29 Oct.*
Railway-wagon cover. (See Haystacks, and Cover, &c.)					
Rattling, preventing. (See Window-lock, &c.)					
Range. (See Cooking-range.)					
Ratchet. (See Pawl and ratchet mechanism.)					
Reading-stand	G. Hutchinson	25056	12 Oct. ..	85	29 Oct.*
Reciprocating-motion producing ..	C. V. Boys and J. W. Tierney ..	25312	11 Dec., 1907†
Record. (See Sound-record.)					
Record-strip. (See Composing-machine.)					
Recovering metals from solutions. (See Solutions, recovering materials.)					
Refrigerator	G. Nelson	25179	4 Nov. ..	94	26 Nov.*
Register. (See Cash-register.)					
Reinforced concrete	A. Thomas	25374	23 Dec. ..	7	28 Jan., 1909.
Rein-holder and wheel-lock	G. Goodwin	25355	18 Dec.
Ribbon. (See Cash-register ribbon.)					
Ridge-capping die	J. Heine	25142	29 Oct. ..	100	10 Dec.
Ridging and sowing implement ..	A. Storrie	23751	20 Nov. ..	79	15 Oct.
Rifle, &c., carrying attachment ..	S. F. Crocker	24555	8 July, 1907†	75	1 Oct.
Road. (See Cement road.)					
Road-forming implement	J. McHalick	23805	10 Dec., 1907	105	23 Dec.
Rock-drill feed-screw	H. E. D. Merry	25289	28 Nov. ..	4	14 Jan., 1909.
Roller-blind bracket	C. F. Olson	25272	27 Nov. ..	4	14 Jan., 1909.*
Roller-grip for band-gearing	B. and W. Trehwella	25061	9 Oct. ..	91	12 Nov.
Roller-mill for tailings, &c.	A. T. W. Allan and A. R. Rann ..	25370	18 Dec. ..	4	14 Jan., 1909.
Rolling-stock coupling	W. H. Appleby	24359	6 May ..	94	26 Nov.
Rope-grip	C. Murray	25328	11 Dec. ..	4	14 Jan., 1909.*
Rope-making apparatus	V. O'Donnell	25080	15 Oct. ..	94	26 Nov.
Rotary engine	F. Lennard	25195	12 Dec., 1907†
Rotary motor and pump	F. Lamplough, L. F. M. de Peyre-cave, and T. Evans and Son (Poplar) Ltd.	25197	11 Nov. ..	105	23 Dec.
Rotary pump	H. R. Smith	25220	13 Nov. ..	100	10 Dec.*
Roundabout	H. Croft	25072	13 Oct. ..	85	29 Oct.*
Rubber, artificial	J. Blum and A. W. Carpenter ..	25231	18 Nov. ..	4	14 Jan., 1909.
Rubber-waste, utilising	T. Gare	25078	15 Oct. ..	91	12 Nov.
Rudder	J. P. H. Lund	25371	21 Dec.
Sack. (See Covering for, &c.)					
Sack-fastener	A. T. Macalpin	25018	5 Oct. ..	85	29 Oct.*
Saddle-cover	C. B. M. Branson	25089	17 Oct. ..	85	29 Oct.*
Saddle-cover	J. J. Daily	25257	19 Oct. ..	100	10 Dec.*
Sanitary apparatus	F. E. Ross	25295	30 Nov.
Sash - balance. (See Window - sash balance.)					
Sash-weight, obviating use of. (See Window-sash holder.)					
Saw. (See Jig-saw.)					
Saw-fence	G. L. Briggs and R. F. Bollard ..	25045	7 Oct. ..	85	29 Oct.*
Scaffolding-clamp	W. J. Roebuck and E. J. Thomson ..	23969	1 Feb. ..	100	10 Dec.
Scythe-handle grip	F. H. Jackson	25262	25 Nov. ..	105	23 Dec.
Searing and docking knife	R. W. Gallagher	25255	23 Nov.
Seat. (See Carriage-seat, Go-cart seat, Water-closet seat.)					
Seed-discharge for drill	P. and D. Duncan	25266	24 Nov.
Seed - fanner. (See Threshing - machine, &c.)					
Seed-sower	H. A. F. Steffens	23585	14 Oct., 1907	85	29 Oct.
Seed-sower	J. H. Morris	25141	29 Oct. ..	100	10 Dec.
Seed-sower	P. Boyd	25274	25 Nov. ..	4	14 Jan., 1909.
See-saw	E. B. Hughes	25359	17 Dec. ..	7	28 Jan., 1909.*
Self-levelling cot, &c.	Anne of Lowenstein-Wertheim ..	25174	4 Nov. ..	105	23 Dec.
Separator. (See Centrifugal separator.)					
Sewer-tile	J. E. Owen	25222	16 Nov. ..	100	10 Dec.*
Sewage-treatment	Oxychlorides (1907) Limited ..	25100	21 Oct. ..	100	10 Dec.
Sewing-machine	The Auckland Sewing-machine Company, Limited	25115	22 Oct. ..	100	10 Dec.
Sewing-machine	W. J. Butler	25183	31 Oct. ..	100	10 Dec.*
Sewing - machine. (See Buttonhole-machine guide.)					
Sewing-shield. (See Finger-shield.)					

ALPHABETICAL LIST OF INVENTIONS—continued.

Invention.	Name.	Application.		Gazette.	
		No.	Date.	No.	Date.
Shaking-table. (See Gold-saving table.)					
Ship's-course-deviation recorder	W. H. Hennah and A. K. W. Rissel	25008	2 Oct. ..	79	15 Oct.
Shoe	R. J. McDonald	25060	9 Oct. ..	91	12 Nov.*
Shop-fronts, protecting from dogs	R. Gilkes	25029	7 Oct. ..	85	29 Oct.*
Show-stand	A. Cannell	25377	21 Dec. ..	4	14 Jan., 1909.*
Sign. (See Luminous sign.)					
Silver-coating fluid	F. E. Darling.. .. .	25381	24 Dec.
Skiving-machine. (See Leather-skiving machine.)					
Slimes-treatment	A. F. Crosse	24129	12 March ..	100	10 Dec.
Slop-pail, &c.	T. Hawkins	25372	24 Dec., 1907†	87	28 Jan., 1909.
Smoke-consumer, &c.	W. Aston	24407	19 May ..	100	10 Dec.
Soap-manufacture	E. V. Schou	25079	15 Oct. ..	94	26 Nov.
Socket. (See Drill-socket.)					
Solutions, recovering materials from	C. W. Merrill.. .. .	24994	1 Oct. ..	7	28 Jan., 1909.
Sound-record	J. W. Owen	24964	23 Sept., 1907†	91	12 Nov.
Sowing-implement. (See Ridging, &c., implement.)					
Spirit-level foresight	E. C. Austin	25193	6 Nov. ..	94	26 Nov.*
Spanner	W. Murray	25092	16 Oct. ..	94	26 Nov.
Spanner	C. Lewes	25325	10 Dec. ..	4	14 Jan., 1909.*
Spark-arrester	W. Aston	24407	19 May ..	100	10 Dec.
Splicing-ear for conductor. (See electric conductor, &c.)					
Splicing-sheild. (See Wire-splice shield.)					
Spouting-bracket	H. Smart	25167	2 Nov. ..	94	26 Nov.*
Sprayer and fumigator. (See Fumigator.)					
Spreader-valve	C. B. Whitney	25170	4 Nov. ..	105	23 Dec.
Spring. (See Air-spring.)					
Spring-jaw trap	H. L. Mainland	25332	9 Dec.
Spring-mattress	J. F. Stephenson	25146	29 Oct. ..	100	10 Dec.
Spring-tine cultivator. (See Cultivator.)					
Stack. (See Haystack.)					
Stamp-vending machine	A. Parker	23632	23 Oct., 1907	100	10 Dec.
Stand. (See Reading-stand.)					
Statement-delivering meter	R. W. Gallagher	25255	23 Nov. ..	4	14 Jan., 1909.
Steam cooking apparatus	E. W. Hursthouse	25108	21 Oct. ..	100	10 Dec.*
Steam-turbine	A. Cederman and J. Peake	24974	25 Sept. ..	91	12 Nov.
Steam-turbine	J. Shepherd and T. Palmer	25156	22 Oct. ..	4	14 Jan., 1909.*
Steam-preventer for bathroom	C. M. Cruickshank and G. Hadlee	25376	23 Dec.
Steam-vent. (See Washing-boiler, steam-vent for.)					
Step-ladder	W. J. Parsons	25069	13 Oct. ..	85	29 Oct.*
Step-ladder foot	W. J. Roebuck	23919	14 Jan. ..	100	10 Dec.
Step-ladder foot	W. J. Roebuck	25074	13 Oct. ..	85	14 Jan., 1909.
Sterilising and preservative tablet	G. E. Taylor	25259	13 Dec., 1907†
Stirrup-iron	P. B. Ross	24491	4 June ..	75	1 Oct.*
Stitching-in wool-bale. (See Bale-grip.)					
Stock-feeding bin. (See Poultry, &c.)					
Stopper. (See Dispensing-stoppper, Bottle-stoppper.)					
Storing apparatus. (See Curtain-displaying, &c.)					
Stove. (See Gas-stove.)					
Strainer. (See Colander, Water-strainer, Wire-strainer.)					
Strap. (See Perambulator-strap, Parcel-carrying strap, &c.)					
Straw-elevator	P. W. Fryer	25351	16 Dec. ..	4	14 Jan., 1909.*
Suction-pump	E. L. Clark	25219	10 Nov. ..	100	10 Dec.*
Sundial	W. M. Homan	25270	23 Nov. ..	4	14 Jan., 1909.
Support. (See Camera-support.)					
Surveying-peg	A. J. Worms	25055	8 Oct. ..	85	29 Oct.*
Table. (See Billiard-table, Extension-table.)					
Table-game apparatus	V. M. Stewart	25188	7 Nov. ..	94	26 Nov.*
Table-game guard	A. H. Wright	25049	10 Oct. ..	85	29 Oct.*
Tailings. (See Roller-mill, &c.)					
Talking-machine horn	P. M. Newton	25234	18 Nov. ..	4	14 Jan., 1909.
Tallying-device. (See Weighing-machine, &c.)					
Tap	C. B. Whitney	25170	4 Nov. ..	105	23 Dec.
Tap	R. Raby	25309	10 Dec., 1907†	7	28 Jan., 1909.
Tap	J. A. Brown	25335	8 Dec.
Teat-cup. (See Milking-machine teat-cup.)					
Telephone-disinfecter	W. E. Mainwaring	25010	3 Oct. ..	85	29 Oct.*
Telephone-disinfecter	W. E. Mainwaring	25238	19 Nov. ..	100	10 Dec.*
Telephone list, displaying	A. H. Wright	25050	10 Oct. ..	85	29 Oct.*
Temperature-detector	T. Falvey	23623	19 Oct., 1907	79	15 Oct.
Tent-peg	T. G. Given	25344	11 Dec.

ALPHABETICAL LIST OF INVENTIONS—continued.

Invention.	Name.	Application.		Gazette.	
		No.	Date.	No.	Date.
Tent-peg	R. N. Adams	25361	14 Dec. ..	4	14 Jan., 1909.*
Threshing-machine for cocksfoot ..	H. C. Thomsen	25002	2 Oct. ..	85	29 Oct.*
Threshing-machine suction-dressing apparatus, &c.	A. F. Hadecke	23872	30 Dec., 1907	100	10 Dec.
Thistle-exterminator	T. F. Long	25298	2 Dec. ..	7	28 Jan., 1909.*
Ticket holder or grip	J. A. Jamieson	23594	21 Oct., 1907	79	15 Oct.
Tide-motor. (See Air-compressor, Tidal, current, and tide motor.)					
Tile. (See Block or tile, Sewer-tile.)					
Tile, &c., manufacture	J. J. Loke	25401	30 Dec.
Tin. (See Kerosene-tin.)					
Tine cultivator. (See Spring-tine cultivator.)					
Tine-harrow attachment	H. E. Thew	25404	31 Dec. ..	7	28 Jan., 1909.*
Tire	E. Kempshall	24663	29 Aug., 1907†	91	12 Nov.
Tire, pneumatic	G. A. Bennett and J. A. Smith ..	25369	21 Dec.
Tire, pneumatic, tread-holder for ..	J. B. Grove	23912	14 Jan. ..	91	12 Nov.
Tire-protector	R. Millis	25064	9 Oct. ..	85	29 Oct.*
Tire-protector	W. J. Harvey	25350	15 Dec. ..	7	28 Jan., 1909.*
Tire-pump	E. E. F. Grimmett	25166	2 Nov. ..	91	12 Nov.*
Tire-pump, automatic	S. F. Haughey	25383	24 Dec. ..	4	14 Jan., 1909.*
Tobacco-pipe	M. Ruddy	24868	1 Sept. ..	100	10 Dec.*
Tool-controlling mechanism	United Shoe Machinery Company	25201	11 Nov. ..	94	26 Nov.*
Tool-heating apparatus	F. C. Brown	25086	16 Oct. ..	94	26 Nov.
Toothed gearing	B. and W. Trehwella	25062	9 Oct. ..	100	10 Dec.
Totalisator	C. Stott and T. W. Brownlee ..	25090	17 Oct. ..	100	10 Dec.
Toy. (See Optical toy, Mechanical toy.)					
Tramcar-brake, actuating	T. J. Cahill	23832	16 Dec., 1907	85	29 Oct.
Tram-car, life-saving catcher for ..	T. W. Mayson and J. Edgar ..	24779	7 Aug. ..	105	23 Dec.
Tramways, dust-collector for	W. Hobbs	25263	25 Nov. ..	100	10 Dec.*
Trap. (See Animal-trap, Spring-jaw trap.)					
Tread-holder. (See Tire, &c.)					
Truck. (See Ballast-truck.)					
Tungsten-combinations, producing ..	F. Harrison and C. H. Dorman ..	25135	30 Oct., 1907†
Turbine	C. A. Parsons	25402	30 Dec. ..	12	11 Feb., 1909.
Turbine. (See Air-current turbine, Current-turbine, Steam-turbine.)					
Turnip-cutter	M. Henry	25015	5 Oct. ..	85	29 Oct.*
Type-composing. (See Composing-machine.)					
Typographical composing-machine ..	J. T. Hunter	25229	18 Nov. ..	4	14 Jan., 1909.
Umbrella	C. W. Allman-Marchant and W. Diack	25367	21 Dec. ..	4	14 Jan., 1909.*
Undercarriage. (See Vehicle - under-carriage.)					
Upper-conforming machine	United Shoe Machinery Company	25103	21 Oct. ..	85	29 Oct.*
Utensil. (See Drinking-utensil.)					
Vacuum cleaner	J. Waechter-Gerber	25348	12 Dec. ..	7	28 Jan., 1909.
Valve. (See Pipe-closing valve, Spreader or deflector valve.)					
Valve-mechanism, &c.	Auto-Hydraulic, Limited	25230	18 Nov. ..	4	14 Jan., 1909.
Variable gear	G. T. and H. H. Stewart	25258	24 Nov.
Variable pulley	G. T. and H. H. Stewart	25356	19 Dec. ..	4	14 Jan., 1909.*
Vat. (See Cheese-vat.)					
Vehicle-brake	A. E. Styles	25077	10 Oct. ..	91	12 Nov.
Vehicle-brake	F. W. Pool	25168	3 Nov.
Vehicle-undercarriage	J. Brennan	25019	6 Oct. ..	94	26 Nov.*
Venetian-blind raiser	H. Maighan	25076	12 Oct. ..	91	12 Nov.*
Venetian blind and curtain raiser ..	A. B. Johnson	25190	6 Nov.
Ventilator	J. Hargreaves	24076	28 Feb. ..	100	10 Dec.
Ventilator	J. Hargreaves	24178	23 March ..	94	26 Nov.
Ventilator. (See Closet-ventilator, Lamp-ventilator.)					
Vermin-fumigator. (See Fumigator.)					
Vernier-elevator. (See Wind-gauge, &c.)					
Vessel. (See Drinking-vessel.)					
Vibrations, producing and converting to electrical variations	H. S. Martin	25020	6 Oct. ..	85	29 Oct.*
Vote-recording mechanism	A. E. Moss	23646	24 Oct., 1907	79	15 Oct.
Wall-construction	J. Mitchell	25057	12 Oct. ..	91	12 Nov.
Wall-construction	J. Mitchell	25070	13 Oct. ..	91	12 Nov.
Washboard	J. Stronach	25012	1 Oct. ..	4	14 Jan., 1909.*
Washing-boiler, steam-vent for	W. B. Bodell	24408	12 May ..	75	1 Oct.
Washing-boiler. (See Clothes, transferring, from.)					
Washing-fluid	E. Ibbotson	25329	9 Dec.
Waste-paper basket	A. Ferguson	25116	22 Oct. ..	100	10 Dec.*
Water-closet flush. (See Flushing mechanism.)					
Water-closet seat	A. Davies	25163	2 Nov.

ALPHABETICAL LIST OF INVENTIONS—continued.

Invention.	Name.	Application.		Gazette.	
		No.	Date.	No.	Date.
Water elevator, container, &c. ..	Auto-Hydraulic, Limited ..	25230	18 Nov. ..	4	14 Jan., 1909.
Water-heater. (See Heating-apparatus.)					
Water-plant cutter	F. C. Ziemsen	25233	18 Nov. ..	100	10 Dec.
Water-strainer	J. A. Powrie	25083	15 Oct. ..	12	11 Feb., 1909.
Weatherboarding	T. Martyn	24781	11 Aug. ..	91	12 Nov.
Weed. (See Thistle.)					
Weigher. (See Milk-weigher.)					
Weighing-machine tallying-device ..	H. Quartier	25341	11 Dec. ..	4	14 Jan., 1909.*
Weight. (See Sash-weight for windows.)					
Wharf-decking planer	C. F. Pulley	23988	10 Feb. ..	4	14 Jan., 1909.*
Wheel-lock. (See Rein-holder and wheel-lock.)					
Wheel-lubricator	J. Gray	25066	9 Oct. ..	85	29 Oct.*
Wheel-lubricator	J. Gray	25126	23 Oct. ..	91	12 Nov.*
Winch. (See Friction-winch, Lever-winch.)					
Wind-gauge and vernier-elevator ..	W. J. C. Downey	24578	10 July, 1907†	91	12 Nov.
Windmill	T. R. Clow	25218	10 Nov. ..	100	10 Dec.*
Window	W. E. Swain	25327	8 Dec. ..	4	14 Jan., 1909.*
Window-fastener	R. N. Adams	25186	4 Nov. ..	105	23 Dec.*
Window-fastener	E. A. Parker	25024	7 Oct. ..	85	29 Oct.*
Window lock and anti-rattler ..	M. Gribble	23989	10 Feb. ..	105	23 Dec.
Window-sash	R. A. Fonseca	24114	10 March ..	105	23 Dec.*
Window-sash balance	A. James, R. W. Smith, and H. W. Stokes	25158	30 Oct.
Window-sash balance	H. E. Thew	25277	27 Nov. ..	7	28 Jan., 1909.*
Window-sash holder	F. M. Norris	25140	29 Oct.
Window-sash lock-adjuster	J. G. Bentley	25241	16 Nov. ..	105	23 Dec.*
Wire-bound box-blank. (See Box-blank, &c.)					
Wire-fastener	E. P. S. McPharlin	25023	6 Oct. ..	85	29 Oct.
Wire-splice shield	W. H. Anscombe	25161	2 Nov. ..	94	26 Nov.*
Wire-strainer	W. P. S. Macgregor and E. C. Reid	25075	12 Oct. ..	85	29 Oct.*
Wire-strainer	F. W. Page	25297	3 Dec. ..	4	14 Jan., 1909.*
Wire-strainer	W. Moore	25307	9 Dec. ..	7	28 Jan., 1909.
Wire-strainer	P. J. Lewis	25320	9 Dec. ..	105	23 Dec.*
Wool-bale. (See Bale.)					
Wool scouring and drying machine ..	T. McDonough	25343	15 Dec.
Wool-winding device.. ..	W. J. L. Morton	23781	4 Dec., 1907	100	10 Dec.
Zinc-separation	The Metal Extraction Corporation, Limited	25296	3 Dec., 1907†

Alphabetical List of Applicants for Registration of Trade Marks.

A LPHABETICAL list of applicants for registration of trade marks for quarter ending 31st December, 1908 (including also applications lodged prior to but gazetted during such quarter).

* Denotes an application under section 98 of the Act.

Name.	Address.	Class.	Application.		Gazette.	
			No.	Date.	No.	Date.
Adams, J. H., and Co.	Auckland, N.Z.	6	7619	19 Oct. ..	85	29 Oct.
Adams, Limited	Christchurch, N.Z.	13, 22	7703, 4	18 Dec. ..	105	23 Dec.
Adams, Limited	Christchurch, N.Z.	40	7742	18 Dec. ..	105	23 Dec.
Actiengesellschaft der Eisen- und Stahlwerke vorm Georg Fischer	Schaffhausen, Switzerland	13	7417	1 July ..	85	29 Oct.
Aktiebolaget Rotator	Sodertelje, Sweden	7	7291, 2	29 April ..	85	29 Oct.
Alby United Carbide Factories, Limited	London, Eng.	1	7615	15 Oct. ..	100	10 Dec.
Alcock and Co. Proprietary, Limited	Melbourne, Vic.	40	7645	28 Oct. ..	91	12 Nov.
Alcock Manufacturing Company ..	New York, U.S.A.; and Birkenhead, Eng.	3	7461, 2, 3	24 July ..	105	23 Dec.
Andrew, J. H., and Co., Limited ..	Sheffield, Eng.	6, 12, 13	7690, 1, 2	23 Nov. ..	100	10 Dec.
Andrew, J. H., and Co., Limited ..	Sheffield, Eng.	6, 12, 13	7693, 4, 5	23 Nov. ..	100	10 Dec.
Balsa Hermanos	Vera Cruz, Mexico	45	7629	22 Oct. ..	94	26 Nov.
Barry, D. J.	Gisborne, N.Z.	43	7607	8 Oct. ..	91	12 Nov.
Bartlett, W. H.	Auckland, N.Z.	39	7633	22 Oct. ..	85	29 Oct.
Bergedorfer Eisenwerk Aktiengesellschaft	Sande, Ger.	7	7647	31 Oct. ..	91	12 Nov.
Bernese Chocolate Works, Tobler and Co., Limited	Berne, Switzerland	42	7701	24 Nov.
Berry, H., and Co.	Christchurch, N.Z.	12	7710	2 Dec. ..	100	10 Dec.
Berry, H., and Co.	Christchurch, N.Z.	6	7708	2 Dec. ..	105	23 Dec.
Berry, H., and Co.	Christchurch, N.Z.	42	7711	2 Dec.
Bray Bros.	Wellington, N.Z.	42	7646	29 Oct. ..	91	12 Nov.
Bristol-Myers Company	New York, U.S.A.	3	7648	4 Nov. ..	94	26 Nov.
British-American Tobacco Company, Limited	London, Eng.	45	7683	19 Nov. ..	94	26 Nov.
British Leather-cloth Manufacturing Company, Limited	Newton, Eng.	36	7322	13 May ..	100	10 Dec.
Brown, Barrett, and Co. (See J. M. Geddes.)						
Bryant and May, Limited.. ..	London, Eng.	47	7355, 6	28 May ..	85	29 Oct.
Bryant and May, Limited.. ..	London, Eng.	47	7713, 4, 6	2 Dec. ..	100	10 Dec.
Bryant and May, Limited.. ..	London, Eng.	47	7715	2 Dec.
Bryant and May, Limited.. ..	London, Eng.	47	7628	21 Oct.
Butterworth Bros., N.Z., Limited ..	Dunedin, N.Z.	38	7643	29 Oct. ..	100	10 Dec.
Carbona Products Company	Newark, U.S.A.	50	7707	28 Nov. ..	100	10 Dec.
Carmine, J. P.	Westport, N.Z.	50	7639	23 Oct. ..	85	29 Oct.
Caselberg, L., and Co., Limited ..	Wellington, N.Z.	44	7580	24 Sept. ..	100	10 Dec.
Celluloid Company	New York, U.S.A.	38	7709	23 Dec.
Chappell, Allen, and Co., Limited ..	Bristol, Eng.	38	7758	23 Dec.
Chatfield, R. P.	Sydney, N.S.W.	3	7595	2 Oct. ..	91	12 Nov.
Chatfield, R. P.	Sydney, N.S.W.	3	7611	15 Oct. ..	91	12 Nov.
Cheetham Salt Proprietary, Limited	Geelong, Vic.	42	7614	15 Oct. ..	85	29 Oct.
Chiswick Soap Company	Chiswick, Eng.	50	7730	15 Dec. ..	7	28 Jan., 1909.
Colgate and Co.	New York, U.S.A.	2	7757	23 Dec. ..	4	14 Jan., 1909.
Collett and Co.	New Plymouth, N.Z.	42	7677	18 Nov. ..	94	26 Nov.
Commonwealth Oil Corporation, Limited	Sydney, N.S.W.	47	7651	4 Nov. ..	94	26 Nov.
Commonwealth Oil Corporation, Limited	Sydney, N.S.W.	18	7650	4 Nov. ..	105	23 Dec.
Commonwealth Oil Corporation, Limited	Sydney, N.S.W.	13	7723	9 Dec. ..	105	23 Dec.
Commonwealth Oil Corporation, Limited	Sydney, N.S.W.	47	7649	4 Nov.
Commonwealth Oil Corporation, Limited	Sydney, N.S.W.	47	7652	4 Nov. ..	4	14 Jan., 1909.
Components, Limited	Bournbrook, Eng.	22	7756	22 Dec.
Cookson and Co., Limited.. ..	Newcastle-upon-Tyne, Eng.	1	7296	30 April ..	79	15 Oct.
Cooney's Manufacturing Company, Limited	Dublin, Ireland	50	7712	2 Dec. ..	100	10 Dec.
Crompton and Co., Limited	London, Eng.	8	7403	24 June ..	100	10 Dec.
Crosby, F., and Son	Auckland, N.Z.	50	7753	19 Dec. ..	4	14 Jan., 1909.
Dadson, A. J., "Koko-Maricopas Company"	Sydney, N.S.W.	48	7736	17 Dec. ..	105	23 Dec.
Dainties, Limited	Christchurch, N.Z.	42	7327	19 May ..	94	26 Nov.
Dainties, Limited	Christchurch, N.Z.	42	7634	22 Oct. ..	91	12 Nov.
De Pelichet, McLeod, and Co. ..	Hastings, N.Z.	42	7617	16 Oct. ..	85	29 Oct.
Dewar and Sons, Limited, J. ..	Perth, Scot.; and Sydney, N.S.W.	43	7114, 5	15 Jan. ..	85	29 Oct.

ALPHABETICAL LIST OF APPLICANTS FOR REGISTRATION OF TRADE MARKS—*continued.*

Name.	Address.	Class.	Application.		Gazette.	
			No.	Date.	No.	Date.
Dewsbury, J., and Son	Walsall, Eng.	13	7680	18 Nov. ..	100	10 Dec.
Dick, R. and J., Limited	Glasgow, Scot.	40	7314, 5	11 May ..	105	23 Dec.
Doble, F., and Sons	London and Dewsbury, Eng.	34	7729	15 Dec. ..	105	23 Dec.
Drake, J. F.	Milton, N.Z.	42	7581	25 Sept. ..	91	12 Nov.
Eadie Manufacturing Company, Limited ..	Redditch, Eng.	13, 22	7624, 5	21 Oct.
"E.C." Powder Company, Limited ..	London, Eng.	20	7626, 7	21 Oct. ..	12	11 Feb., 1909.
Ellin, T. R.	Sheffield, Eng.	5	7600, 3	6 Oct. ..	79	15 Oct.
Ellin, T. R.	Sheffield, Eng.	12	7601, 4	6 Oct. ..	79	15 Oct.
Ellin, T. R.	Sheffield, Eng.	13	7602, 5	6 Oct. ..	79	15 Oct.
Ellis and Manton	Wellington, N.Z.	42	7606	7 Oct. ..	79	15 Oct.
Escoffier (1907), Limited	London, Eng.	42	7419	1 July ..	85	29 Oct.
Evelyn, E. S.	Auckland, N.Z.	2	7630	22 Oct. ..	85	29 Oct.
Field, A. N.	Wellington, N.Z.	39	7608	12 Oct. ..	85	29 Oct.
Field and Co., Fruit-merchants, Limited ..	London, Eng.	42	7313	11 May ..	75	1 Oct.
Flyger, C. T.	Palmerston North, N.Z.	42	7586	29 Sept. ..	85	29 Oct.
Gallaher, Limited	Belfast, Ireland	45	7536	26 Aug. ..	85	29 Oct.
Geddes, J. M., "Brown, Barrett, and Co." ..	Auckland, N.Z.	42	7657	21 Nov. ..	100	10 Dec.
Gillette Safety Razor Company	Boston, U.S.A.	48, 50	7655, 6	6 Nov. ..	94	26 Nov.
Gollin and Co. Proprietary, Limited ..	Wellington, N.Z.	38	7724	10 Dec. ..	105	23 Dec.
Goodfellow, Limited	Hamilton, N.Z.	6	7662	10 Nov. ..	94	26 Nov.
Goodfellow, Limited	Hamilton, N.Z.	42	7663	10 Nov.
Gramophone Company, Limited	London, Eng.	8	7739	17 Dec. ..	105	23 Dec.
Guest, H. W.	Windsor, Vic.	48	7720	4 Dec. ..	7	28 Jan., 1909.
Hardley and Hardley, Limited	Auckland, N.Z.	13	7734	17 Dec. ..	105	23 Dec.
Hardley and Hardley, Limited	Auckland, N.Z.	16	7764	29 Dec. ..	4	14 Jan., 1909.
Hardley and Hardley, Limited	Auckland, N.Z.	18	7765	29 Dec. ..	7	28 Jan., 1909.
Hargreaves Bros. and Co., Limited ..	Hull, Eng.	50	7684	19 Nov. ..	94	26 Nov.
Hargreaves Bros. and Co., Limited ..	Hull, Eng.	50	7685	19 Nov.
Hartman, F., Senalco-Aktiengesellschaft ..	Detmold, Ger.	44	7759, 60, 1, 2	23 Dec. ..	7	28 Jan., 1909.
Hawkins, L.	Dunedin, N.Z.	3	7671	13 Nov. ..	94	26 Nov.
Hayman and Co.	London, Eng.	50	7642	23 Oct. ..	91	12 Nov.
Hayman, P., and Co.	Wellington, N.Z.	50	7640	24 Oct. ..	85	29 Oct.
Hayman, P., and Co.	Wellington, N.Z.	10, 12, 48	7673, 4, 5	16 Nov. ..	94	26 Nov.
Hazard, W. H.	Auckland, N.Z.	4, 19, 20, 37, 49	7744, 6, 7, 8, 7750	19 Dec. ..	7	28 Jan., 1909.
Hazard, W. H.	Auckland, N.Z.	12, 38	7745, 9	19 Dec. ..	4	14 Jan., 1909.
Hercus, J., and others	Dunedin, N.Z.	13	7596	3 Oct.
Hoffmann Manufacturing Company, Limited ..	London, Eng.	6, 13	7754, 5	22 Dec.
Hollins Mill Company	Manchester, Eng.	24	7654	4 Nov. ..	105	23 Dec.
Hovis Bread Flour Company, Limited ..	London, Eng.	42	6693	8 June, 1907	91	12 Nov.
Irvine and Stevenson's St. George Company, Limited ..	Dunedin, N.Z.	42	7661	7 Nov. ..	105	23 Dec.
Jamieson, R., and Co.	Dunedin, N.Z.	34	7620	19 Oct. ..	85	29 Oct.
Josephson, C. O.	Wellington, N.Z.	38	7618	16 Oct. ..	94	26 Nov.
Kaffee Patent Aktiengesellschaft ..	Bremen, Ger.	42	7700	24 Nov. ..	4	14 Jan., 1909.
Koko-Maricopas Company. (See A. J. Dadson.)
Lamont and Co. (See J. Webster.)
Laurie, W. S., and Co.	Auckland, N.Z.	42	7610	15 Oct. ..	85	29 Oct.
Laxo-Tonic Pill Company	Sydney, N.S.W.	3	7688	19 Nov. ..	94	26 Nov.
Liberty and Co. (Cymrio), Limited ..	London, Eng.	14	7666, 9	11 Nov. ..	94	26 Nov.
Liberty and Co., Limited	London, Eng.	24, 31	7667, 8	11 Nov. ..	94	26 Nov.
Lohmann and Co.	Bremen, Ger.; and Sydney, N.S.W.	42	7702	26 Nov. ..	12	11 Feb., 1909.
Massey, C. B.	Christchurch, N.Z.	3	7751	19 Dec. ..	4	14 Jan., 1909.
Matthews, C. H.	Wellington, N.Z.	49	7638	23 Oct. ..	85	29 Oct.
MacEwan, J. B., and Co., Limited ..	Wellington, N.Z.	39, 24, 42	7635, 6, 7	23 Oct. ..	85	29 Oct.
MacEwan, J. B., and Co., Limited ..	Wellington, N.Z.	42	7537	23 Aug. ..	91	12 Nov.
McKinlay, R., and Sons	Dunedin, N.Z.	38	7659, 60	6 Nov. ..	105	23 Dec.
McKinlay, R., and Sons	Dunedin, N.Z.	38	7658	6 Nov.
Messenger Corset Company. (See A. G. Parry.)
Mitteldeutsche Gummiwarenfabrik, Louis Peter A. G. "Peter Union Tyre Co." ..	Frankfurt-on-Main, Ger.; and Melbourne, Vic.	40	7717	3 Dec. ..	105	23 Dec.
Moore, G.	Masterton, N.Z.	4	7722	4 Dec. ..	105	23 Dec.
Moore Manufacturing Company, Limited ..	Dunedin, N.Z.	50	7672	16 Nov. ..	94	26 Nov.

ALPHABETICAL LIST OF APPLICANTS FOR REGISTRATION OF TRADE MARKS—continued.

Name.	Address.	Class.	Application.		Gazette.	
			No.	Date.	No.	Date.
Morton, W., and others	Dunedin, N.Z.	13	7596	3 Oct.
Mouldy, E. C., and Sons	Christchurch, N.Z.	43	7725	10 Dec.	105	23 Dec.
New Hudson Cycle Company, Limited	Birmingham, Eng.	22	6894	28 Aug., 1907	79	15 Oct.
Ong Sam Leong and Co.	Singapore, Straits Settlements	42	7678	18 Nov.	100	10 Dec.
Park, W., and Co.	Wigan, Eng.	13	7726	15 Dec.	105	23 Dec.
Parry, A. G., "Messenger Corset Co."	Christchurch, N.Z.	38	7689	19 Nov.
Peel, W.	Wellington, N.Z.	2, 47	7737, 8	17 Dec.	105	23 Dec.
Peter Union Tyre Company. (See Mitteldeutsche Gummiwarenfabrik, Louis Peter A. G.)						
Pommery Fils and Cie, Lse.	Reims, France	43	7557	8 Sept.	85	29 Oct.
Raad, T.	Perth, W.A.	3	7321	13 May	79	15 Oct.
Ranish, H.	Martinborough, N.Z.	42	7721	4 Dec.	105	23 Dec.
Reading and Hoppy	Christchurch, N.Z.	48	7752	19 Dec.	4	14 Jan., 1909.
Reckitt's (Oversea), Limited	Wellington, N.Z.	50	7641	28 Oct.	94	26 Nov.
Reddaway, F., and Co., Limited	Manchester, Eng.	35	7664	11 Nov.	94	26 Nov.
Rocke, Tompsitt, and Co.	Melbourne, Vic.	2	7644	29 Oct.	100	10 Dec.
Rodger, J., and Co.	Christchurch, N.Z.	49	7676	16 Nov.	94	26 Nov.
Royds Bros. and Kirk, Limited	Christchurch, N.Z.	42	7444, 6	15 July	85	29 Oct.
Scoular, W., and Co.	Dunedin, N.Z.	42	7705	26 Nov.	100	10 Dec.
Scoular, W., and Co.	Dunedin, N.Z.	42	7740, 1	18 Dec.	105	23 Dec.
Shimer, S. J., and Sons	Milton, U.S.A.	6	7632	22 Oct.	94	26 Nov.
Simon, J., and Cie	Lyons, France	48	7621, 2, 3	20 Oct.	85	29 Oct.
Sissons Bros. and Co., Limited	Bankside, Eng.	1	7681	18 Nov.
Société d'Hygiène le Negri Pipoz	Paris, France	7679	18 Nov.
Souter, F. T. E.	London, Eng.	3	7727	15 Dec.	105	23 Dec.
Steedman and Co.	London, Eng.	3	7631	22 Oct.	91	23 Dec.
Stewart Dawson and Co. (N.Z.), Limited	Wellington, N.Z.	14	7733	15 Dec.	105	23 Dec.
Stoltz, G. C.	Sydney, N.S.W.	18	7653	4 Nov.	100	10 Dec.
Sydney Soap and Candle Company, Limited	Sydney, N.S.W.	50	7616	15 Oct.	85	29 Oct.
Symonds, A. C., and Co.	Wellington, N.Z.	3	7670	13 Nov.	100	10 Dec.
Thames Valley Co-operative Dairying Company, Limited	Paeroa, N.Z.	42	7728	15 Dec.	105	23 Dec.
Timaru Dairy Company	Timaru, N.Z.	42	7763	29 Dec.	4	14 Jan., 1909.
Tobler and Co., Limited. (See Bernese Chocolate-works.)						
Tonkin and Co.	Dunedin, N.Z.	42	7583	28 Sept.	91	12 Nov.
Union Bag and Paper Company	Jersey City, U.S.A.	39	7718, 9	3 Dec.	7	28 Jan., 1909.
Vinolia Company, Limited	London, Eng.	48	7735	17 Dec.	105	23 Dec.
Wairarapa Farmers' Co-operative Association (Limited)	Wellington, N.Z.	47, 42	7731, 2	15 Dec.	7	28 Jan., 1909.
Wakelin Bros.	Carterton, N.Z.	42	7599	5 Oct.	79	15 Oct.
Ward, G. and S. I.	North Melbourne, Vic.	6	7682	18 Nov.	105	23 Dec.
Warnock Bros.	Auckland, N.Z.	47	7412	27 June	85	29 Oct.
Warnock Bros.	Auckland, N.Z.	47	7609	15 Oct.	85	29 Oct.
Watson, A., and Co.	Newcastle-on-Tyne, Eng.	42	7612	15 Oct.
Webster, J. "Lamont and Co."	Glasgow, Scot.	43	7594	2 Oct.
White, A. J. (Colonial), Limited	London, Eng.	3	7766, 7	30 Dec.	4	14 Jan., 1909.
White, A. J. (Colonial), Limited	London, Eng.	3	7768	30 Dec.
Whitfields Bedsteads, Limited	Birmingham, Eng.	41	7665	11 Nov.	94	26 Nov.
Wills, W.	Dunedin, N.Z.	42	7743	19 Dec.	12	11 Feb., 1909.
Wilton, G. W., and Co., Limited	Wellington, N.Z.	3	7706	27 Nov.	100	10 Dec.
Winchester Repeating Arms Company	Connecticut, U.S.A.	19	7696, 7, 8, 9	23 Nov.
Woodrow, J., and Sons, Limited	Stockport, Eng.	38	7385	15 June	91	12 Nov.
Wouldham Cement Company, Limited	London, Eng.	17	7613	15 Oct.	85	29 Oct.
Wright, A. H.	Dunedin, N.Z.	39, 41	7597, 8	5 Oct.
Wright, A. H., and others	Dunedin, N.Z.	13	7596	3 Oct.
Young's Chemical Company. (See T. W. Young.)						
Young, T. W. "Young's Chemical Company."	Wellington, N.Z.	2	7686, 7	19 Nov.	105	23 Dec.

Alphabetical List of Applicants for Registration of Designs.

A LPHABETICAL list of applicants for registration of designs from 1st July, 1908, to 31st December, 1908, inclusive :—

Name.	Address.	Class.	Application.		Gazette.	
			No.	Date.	No.	Date.
Alcock and Co. Proprietary, Limited	Melbourne, Vic. ..	3	396	29 July ..	64	20 Aug.
Berry, D. A., and others	Northampton, Eng. ..	10	415	18 Nov. ..	94	26 Nov.
Black, J.	Auckland, N.Z. ..	3	418-43	24 Nov. ..	100	10 Dec.
Brown, J. H., and others	Northampton, Eng. ..	10	415	18 Nov. ..	94	26 Nov.
Carrara Ceiling Company, Limited ..	Wellington, N.Z. ..	3	391-5	28 July ..	61	6 Aug.
Carrara Ceiling Company, Limited ..	Wellington, N.Z. ..	3	400-2	12 Aug. ..	64	20 Aug.
Carrara Ceiling Company, Limited ..	Wellington, N.Z. ..	3	403-6	15 Aug. ..	64	20 Aug.
Colonial Tinware and Japanning Company. (See E. Townsend and J. W. O'Sullivan.)						
Dunlop Rubber Company of Australasia, Limited	Melbourne, Vic. ..	12	412	4 Nov. ..	94	26 Nov.
Fraser Bros.	Invercargill, N.Z. ..	1	408	4 Sept. ..	75	1 Oct.
Glover, A. G.	Wellington, N.Z. ..	8	407	27 Aug. ..	69	3 Sept.
Grazzini, C.	Wellington, N.Z. ..	3	410	28 Oct. ..	91	12 Nov.
Gurney, F. E.	Wellington, N.Z. ..	3	390	2 July ..	54	9 July.
McLaughlin, F.	Wellington, N.Z. ..	1	413, 4	12 Nov. ..	94	26 Nov.
Muir, J. and T.	Melbourne, Vic. ..	1	416, 7	18 Nov. ..	94	26 Nov.
Muir, G. T., T. M., and J. K. (J. F. Stephenson)	Melbourne, Vic. ..	1	444	2 Dec. ..	100	10 Dec.
Muir, J. and T.	Melbourne, Vic. ..	1	446, 7	23 Dec. ..	4	14 Jan., 1909.
O'Sullivan, J. W., and another ..	Wellington, N.Z. ..	1	411	28 Oct. ..	91	12 Nov.
Rodda, W. P.	St. Kilda, Vic. ..	1	445	23 Dec. ..	4	14 Jan., 1909.
Roseman, S. G.	Auckland, N.Z. ..	3	397	29 July ..	64	20 Aug.
Sargood, Son, and Ewen, Limited ..	Dunedin, N.Z. ..	10	398, 9	4 Aug. ..	64	20 Aug.
Sargood, Son, and Ewen, Limited ..	Dunedin, N.Z. ..	10	409	28 Sept. ..	79	15 Oct.
Stephenson, J. F. (See G. T. Muir and others, No. 444.)						
Thornton, F. H., and others	Northampton, Eng. ..	10	415	18 Nov. ..	94	26 Nov.
Townsend, E., and another	Wellington, N.Z. ..	1	411	28 Oct. ..	91	12 Nov.
Wilson, T. J.	Nelson, N.Z. ..	1	448	31 Dec. ..	4	14 Jan., 1909.

By Authority: JOHN MACKAY, Government Printer, Wellington.

ILLUSTRATIONS OF INVENTIONS.

[These illustrations refer to the complete specifications accepted, and advertised in this *Gazette*.]

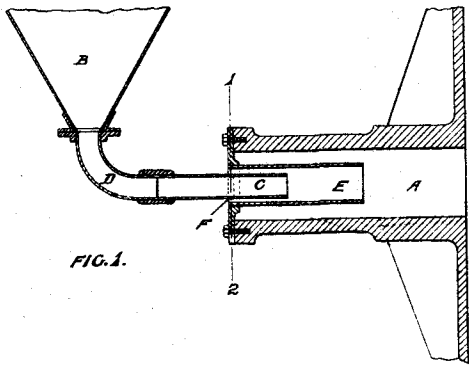


FIG. 1.

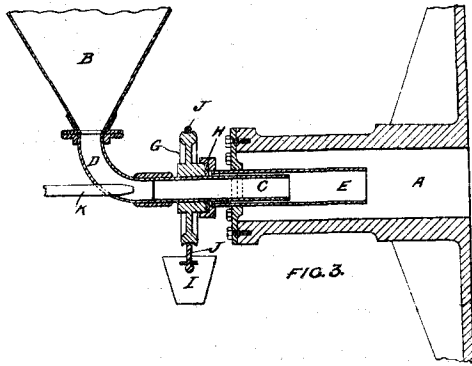


FIG. 3.

24042
Noble and Brown. Tube and Ball Mill Feeder.

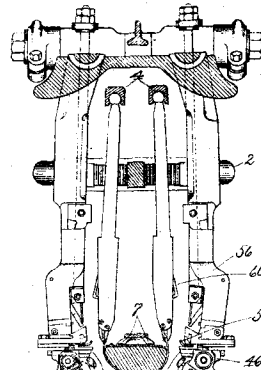
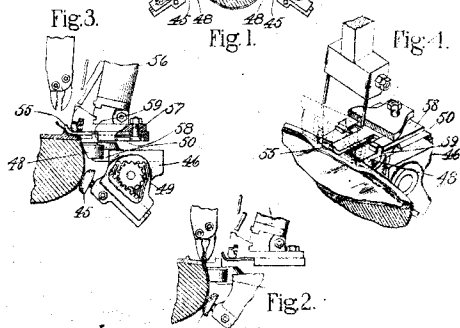


Fig. 1.



24172
United Shoe Machinery Co. Pulling-over Machine. (Ashton.)

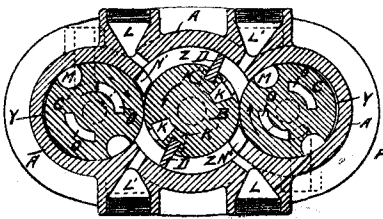


FIG. 6.

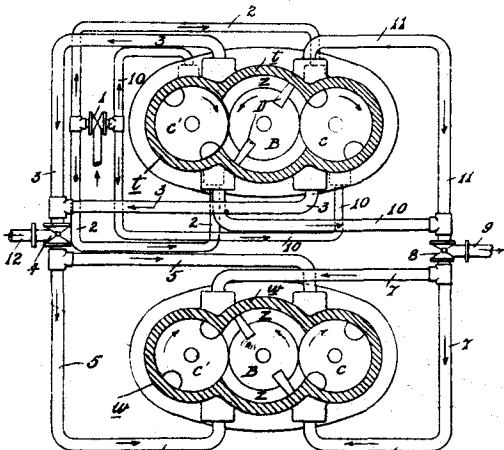


FIG. 14.

24657
Marks. Turbine.

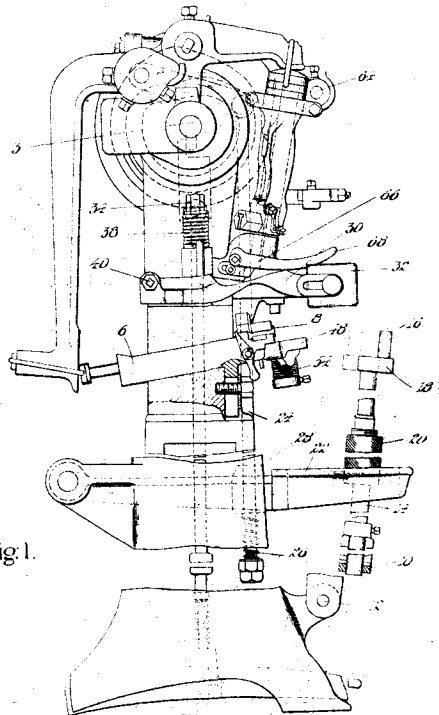
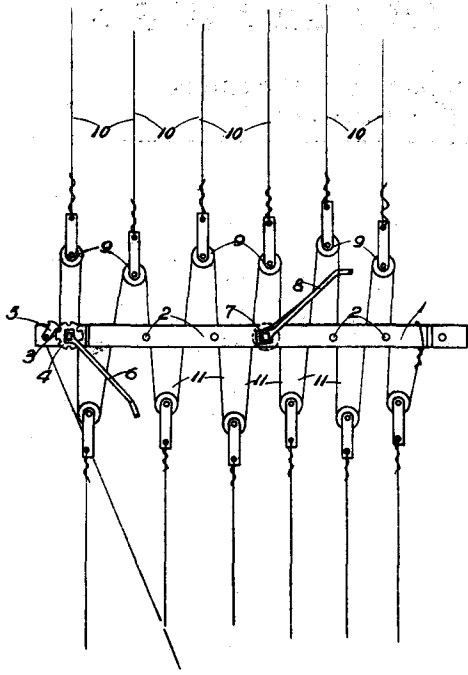
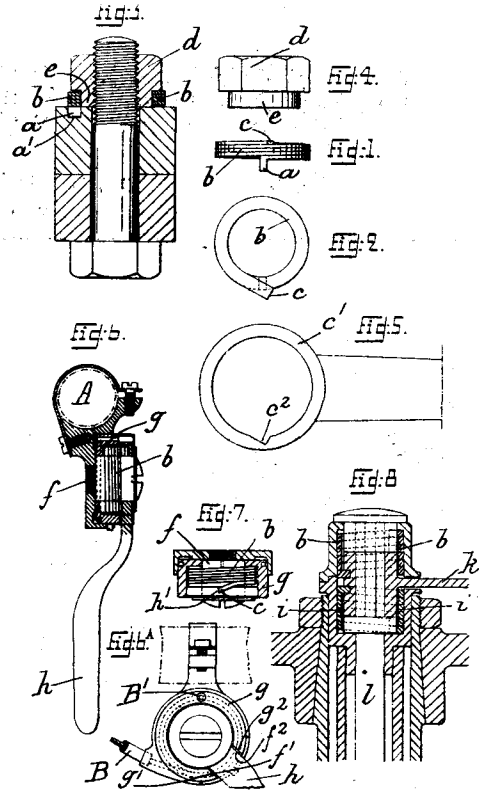


Fig. 1.

24171
United Shoe Machinery Co. Boot-assembling Machine. (Ashton.)



25424
Penney. Wire-strainer.



25409
British Fixator (Limited). Preventing Accidental Movement of Rotating Parts. (De Laitte and Carter.)

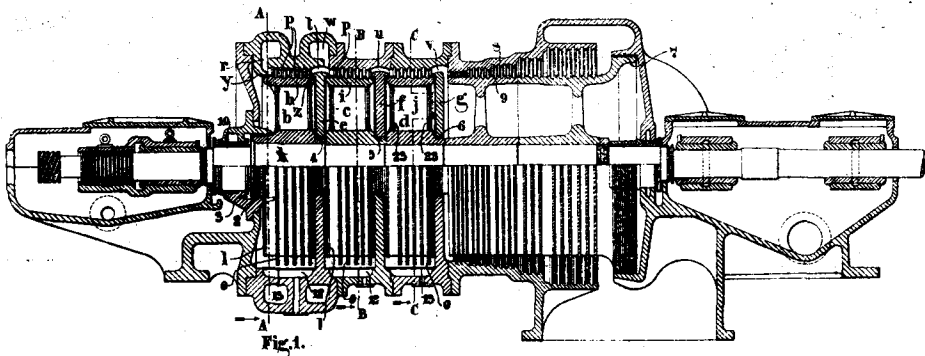
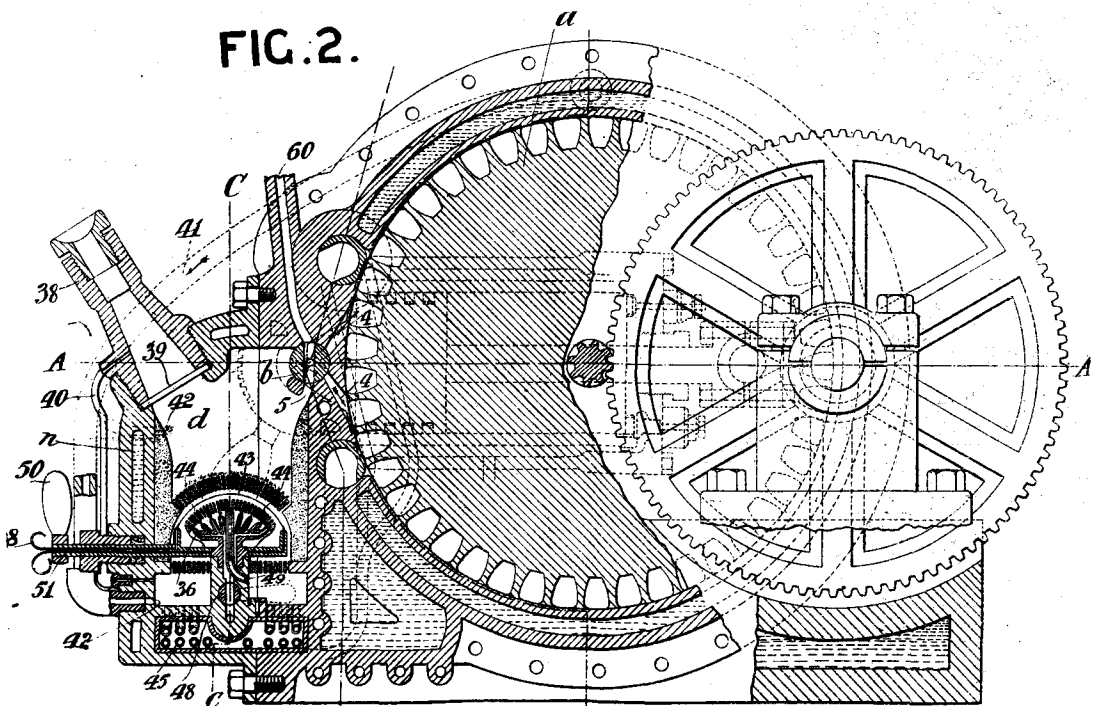


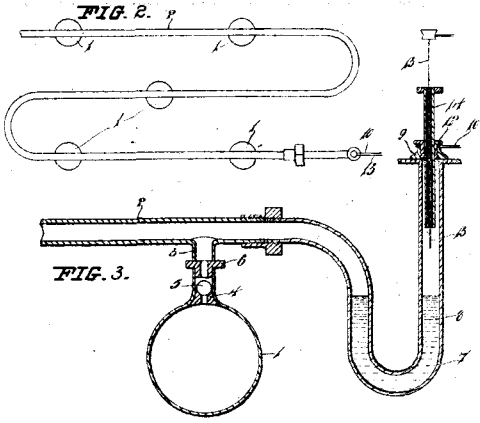
Fig. 1.

25402
Parsons. Turbine.

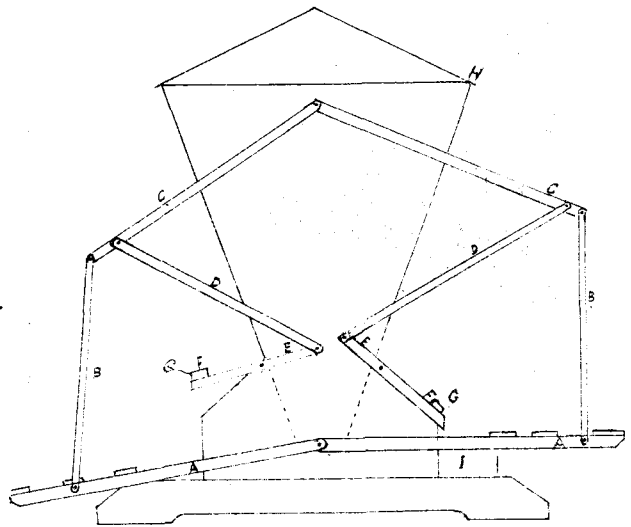
FIG. 2.



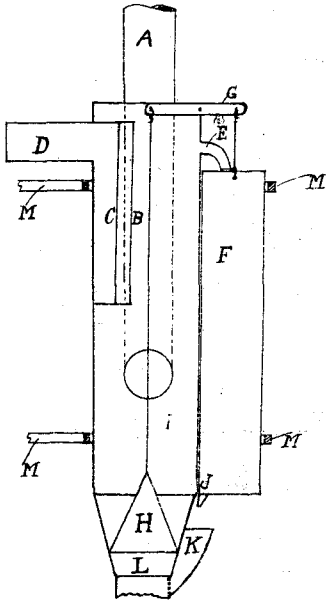
25408
Hutchings. Combustable-fluid Supplier.



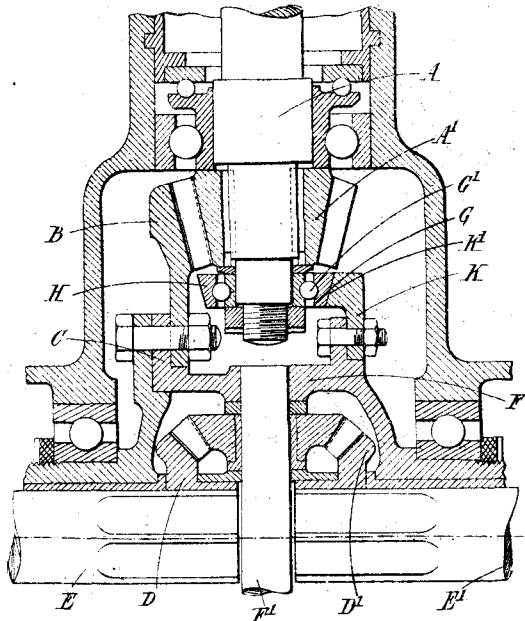
24654
Allan and Bowling. Hot-air Indicator.



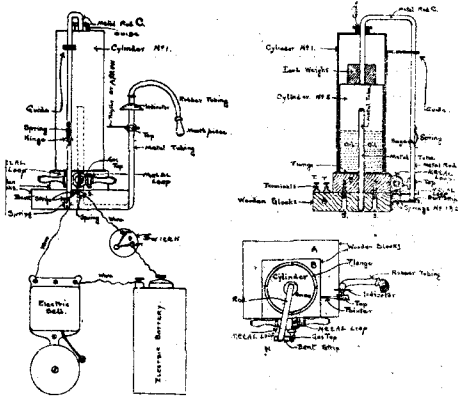
25082
Powrie. Stock-feeding Bin.



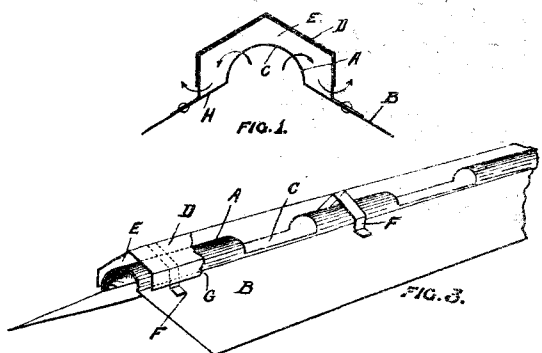
25083
Powrie. Strainer.



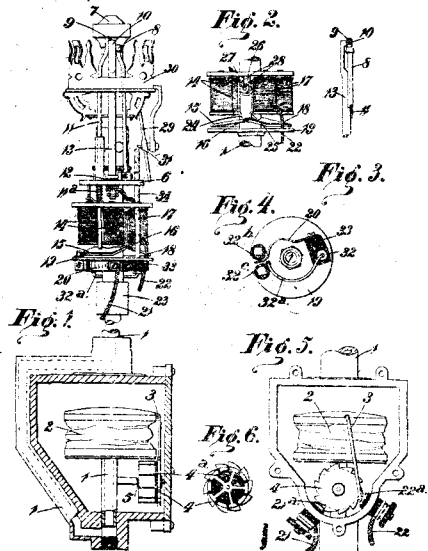
25397
De Dion Bouton (1907) (Limited). Pressure-bearings.
(De Dion and Bouton.)



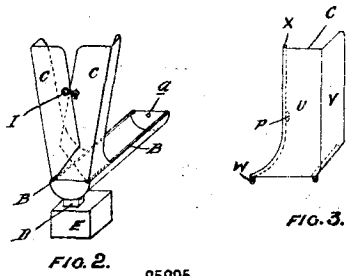
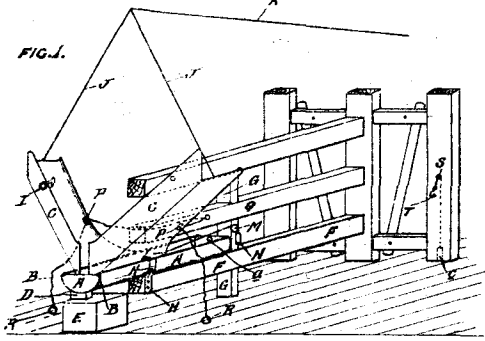
25398
Hesketh. Gas cut-off.



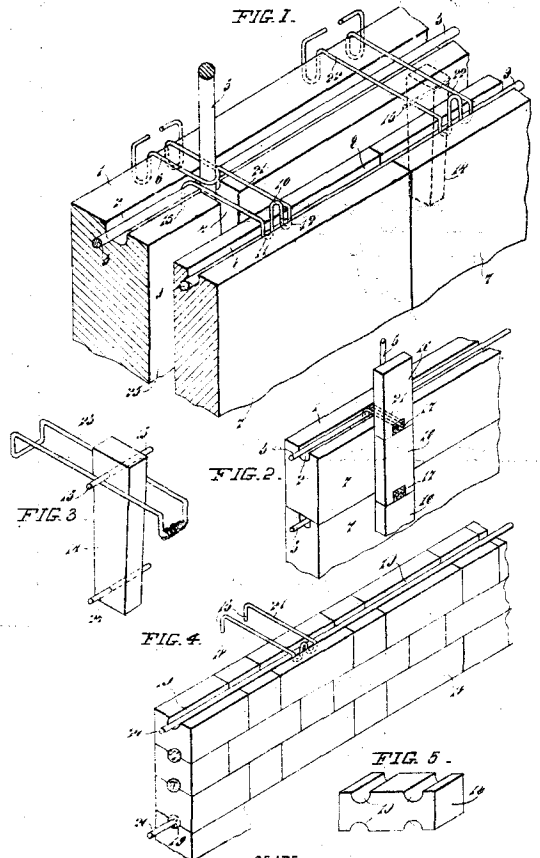
25431
Hardley and Hardley. Ventilator.



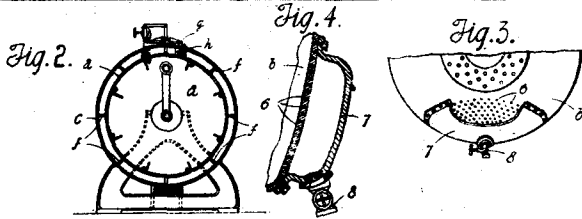
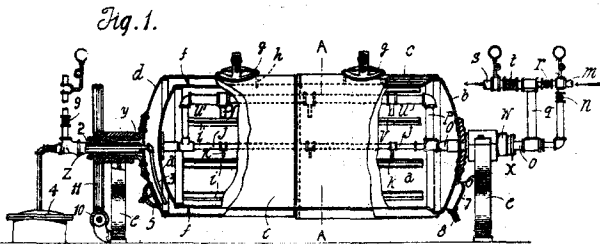
25390
Nightingall Gas Control Co. (Limited). Gas Lighter and Extinguisher. (Nightingall.)



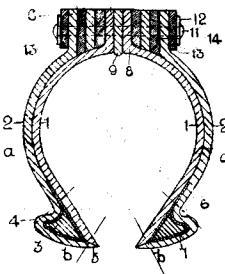
25295
Ross. Milking-shed.



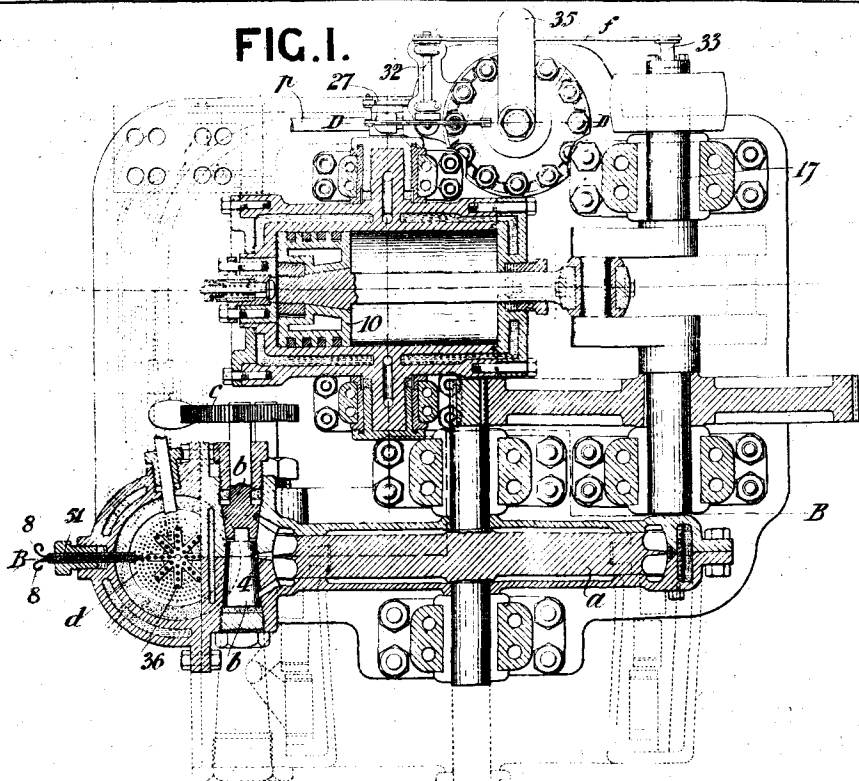
25475
Mitchell. Building-construction.



25396
Stamp and Powell. Offal, &c., Tank.



25406
Bird. Tire.



25407
Hutchings. Turbine.